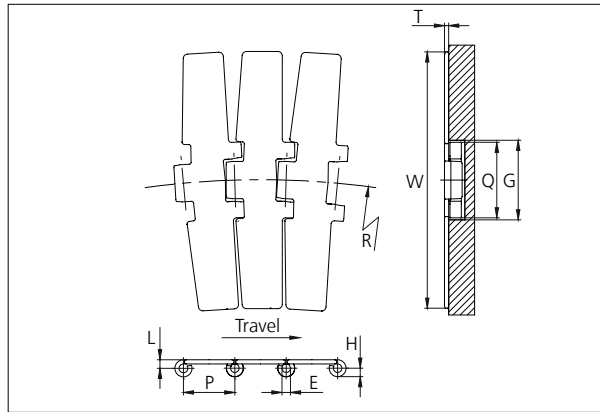


Slat Top Stainless Steel Chain

Series **uni 8817 PLUS+** Type **Magnetic Wide**



Slat Top Stainless Steel Chain

Side flexing chain
Pitch: 38.1 mm (1.50 in)
Backflex radius:
76.2 mm (3.00 in)

Standard shipping lengths:
coils of 80 in
= 3.048 m (10.0 ft)

NON STANDARD

E		G		H		L		P		Q		T	
mm	in	mm	in	mm	in	mm	in	mm	in	mm	in	mm	in
6.4	0.25	60.0	2.36	9.9	0.39	6.5	0.26	38.1	1.50	57.0	2.24	3.0	0.12

	Width (W)		Min. radius (R)		Weight		Permissible tensile strength N/lbf	Chain material	Pin material*	Surface	
	mm	in	mm	in	kg/m	lb/ft				Roughness	Hardness
K750	190.0	7.50	750	29.53	5.03	3.38	3000 / 674	S420 35 (Special Work hardened Crome-nickel ferritic Stainless Steel)	AISI 431 (Work hardened magnetic Stainless Steel)	< 0.3 µm	30 HRC


SIDE FLEXING

PITCH 38.1 MM/1.50 IN

* Chains with special hardened pin (HP) for additional wear resistance and higher corrosion strength are made to order.

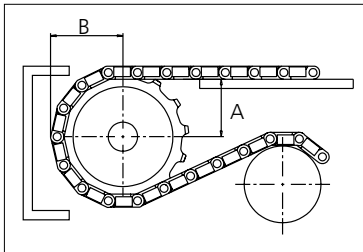
Any questions? Please contact us.

Sprocket

No of teeth	Pitch diameter		Overall-diameter		Min. \varnothing bore		Max. \varnothing bore		Dimension A		Dimension B		 Machined PA6 N
	mm	in	mm	in	mm	in	mm	in	mm	in	mm	in	
Z19	117.3	4.62	117.0	4.61	20.0	0.79	40.0	1.57	58.7	2.31	64.5	2.54	✓
Z21	129.2	5.09	130.0	5.12	20.0	0.79	40.0	1.57	65.0	2.56	70.5	2.78	✓
Z23	141.2	5.56	142.0	5.59	20.0	0.79	40.0	1.57	71.2	2.80	76.5	3.01	✓
Z25	153.2	6.03	155.0	6.10	20.0	0.79	40.0	1.57	77.4	3.05	82.5	3.25	✓
Z27	165.2	6.50	167.0	6.57	20.0	0.79	70.0	2.76	83.6	3.29	88.5	3.48	✓
Z29	177.2	6.98	179.0	7.05	20.0	0.79	70.0	2.76	89.8	3.54	94.6	3.72	✓
Z31	189.3	7.45	192.0	7.56	20.0	0.79	70.0	2.76	95.9	3.78	100.6	3.96	✓

Non standard material and color:
See uni Material and Color Overview.

Machined sprocket



Please ensure that sufficient size shaft and keyway are chosen for corresponding load.

Other sprocket sizes are available upon request

Width of tooth: 57.0 mm/2.24 in

Width of sprocket: 57.0 mm/2.24 in

uni Retainer Rings: See uni Retainer Ring data sheet

uni Idler: See uni Idler data sheet

uni Guide Rings can be mounted on cast iron and machined sprockets. See uni Guide Rings data sheet

Any questions? Please contact us.