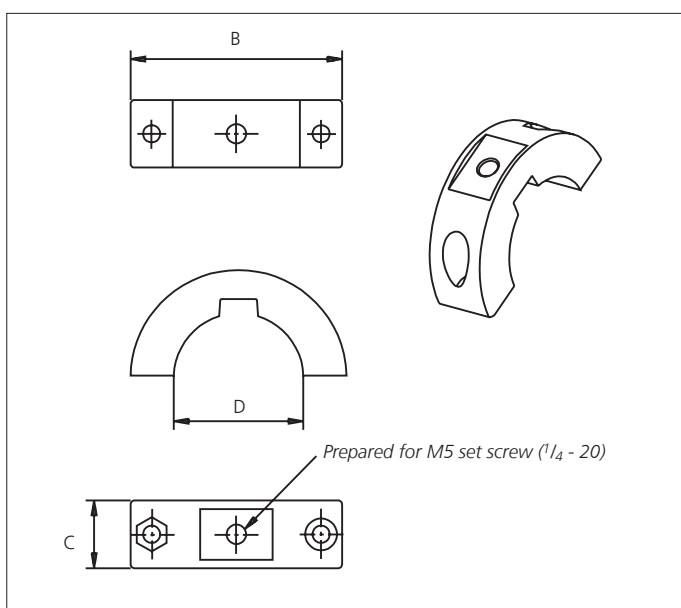
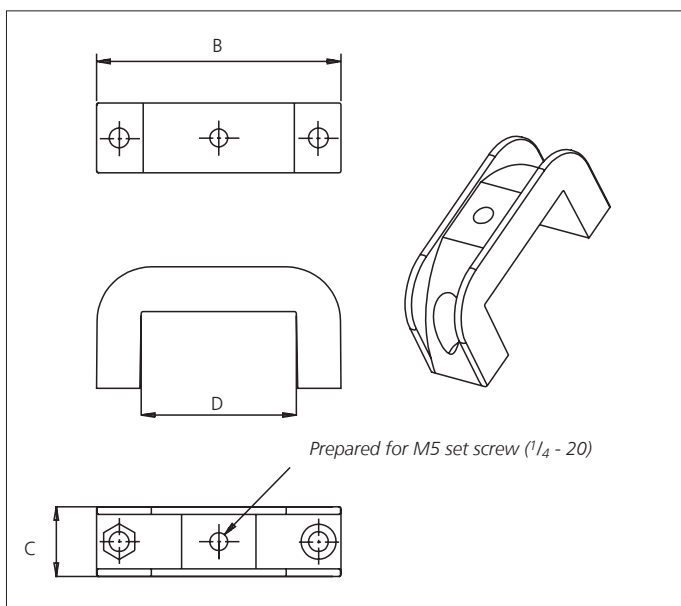
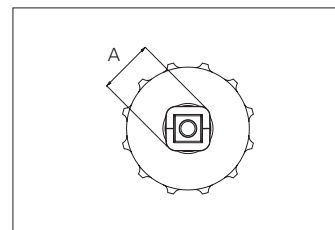
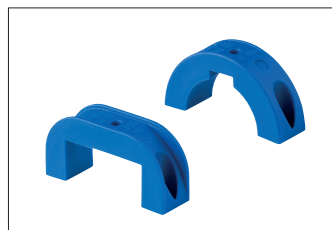
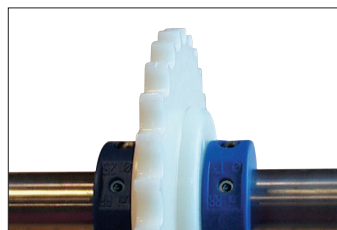


## Accessories uni Retainer Rings



uni Retainer Rings™ D	B		C		A*	
	mm	in	mm	in	mm	in
40 x 40 mm	63	2.5	18	0.7	ø80	ø3.1
50 x 50 mm	80	3.1	18	0.7	ø103	ø4.1
60 x 60 mm	95	3.7	18	0.7	ø124	ø4.9
1 in x 1 in	44	1.7	14	0.6	ø52	ø2.0
1.5 in x 1.5 in	63	2.5	18	0.7	ø80	ø3.1
2.5 in x 2.5 in	95	3.7	18	0.7	ø124	ø4.9

uni Retainer Rings™ D	B		C		A*	
	mm	in	mm	in	mm	in
ø20 mm	39	0.15	14	0.6	ø39	ø1.5
ø25 mm	44	1.7	14	0.6	ø44	ø1.7
ø30 mm	50	2.0	16	0.6	ø50	ø2.0
ø40 mm	63	2.5	18	0.7	ø63	ø2.5
ø50 mm	75	3.0	18	0.7	ø75	ø3.0
ø1 in	44	1.7	14	0.6	ø44	ø1.7
ø1.5 in	63	2.5	18	0.7	ø63	ø2.5
ø2 in	75	3.0	18	0.7	ø75	ø3.0

\* Use sprocket sizes that ensure that the belt or chain do not conflict with uni Retainer Rings™.

Available in sets of 4 rings and sets of 20 rings.

Material & color	PA6-GF <b>B</b>
------------------	-----------------

STANDARD

Any questions? Please contact us.

**Morskate Aandrijvingen BV**  
Oosterveldsingel 47A  
7558 PJ Hengelo (Ov)  
The Netherlands

NL  
T +31 (0)74 - 760 11 11  
info@morskateaandrijvingen.nl  
www.morskateaandrijvingen.nl

DE  
T +49 692 - 222 34 95  
info@morskateantriebstechnik.de  
www.morskateantriebstechnik.de

EN  
T +31 (0)74 - 760 11 11  
info@morskatedrivetechnology.com  
www.morskatedrivetechnology.com