

Thomas Flexible Disc Couplings (Metric)



Any questions? Please contact us.

Morskate Aandrijvingen BV

Oosterveldsingel 47A
7558 PJ Hengelo (Ov)
The Netherlands

NL

T +31 (0)74 - 760 11 11
info@morskateaandrijvingen.nl
www.morskateaandrijvingen.nl

DE

T +49 692 - 222 34 95
info@morskateantriebstechnik.de
www.morskateantriebstechnik.de

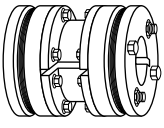
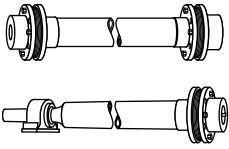
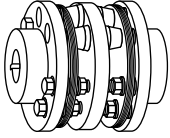
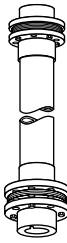
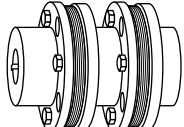
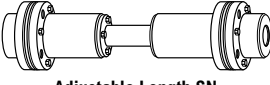
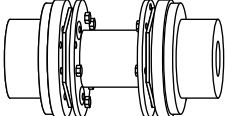
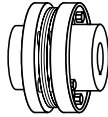
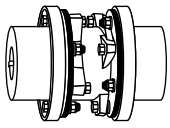
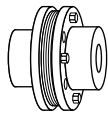
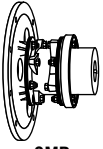
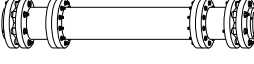
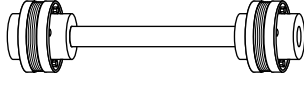
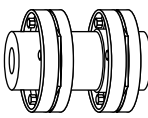
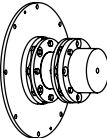
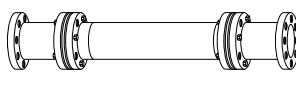
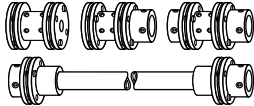
EN

T +31 (0)74 - 760 11 11
info@morskatedrivetechnology.com
www.morskatedrivetechnology.com

Table Of Contents

DESCRIPTION	PAGE
Application Guide.....	3
Flexible Coupling Overview.....	4
Quick Coupling Selection Procedure.....	5
Service Factors.....	6
Ordering Instructions.....	7
CLOSE COUPLED COUPLINGS	
Series 54RDG.....	8
DBZ, DBZ-A, DBZ-B.....	9
SPACER COUPLINGS	
Series XT5R52.....	10, 11
Series XT5R71.....	12, 13
AMR.....	14
CMR.....	15, 16
BMR.....	17
Series 44.....	18, 19
FLOATING SHAFT COUPLINGS	
SN-GA.....	20
Floating Shaft Coupling Types.....	21
SN, SF, SV.....	22, 23
SN Adjustable.....	23
SINGLE FLEXING DISC COUPLINGS	
ST.....	24
SN Single.....	25
HIGH PERFORMANCE COUPLINGS	
THP.....	26
Series 63.....	27
MINIATURE COUPLINGS	
CC, CA.....	28
CB, CBC.....	29
CE.....	30
ADDITIONAL COUPLINGS AND TECHNICAL DATA	
Backstop.....	31
Series 52.....	32
Series 71.....	33, 34
Series 54RD.....	35
Bore Specifications, Taper-Lock and Q.D. Bushings.....	36
Customized Flexible Disc Couplings.....	37, 38

Rexnord Thomas Coupling Application Guide

Coupling Type	Typical Applications	Coupling Type	Typical Applications
 <p>Series 54RDG</p>	Close-coupled applications. Suitable as replacement for gear and grid couplings.	 <p>SN SF</p>	Turbines, pumps, compressors, test stands, generators, speed increasers, fans (cooling tower, mine ventilating, forced and induced draft), paper mill drives, line shafts, printing machines, pumps. Available as a standard in corrosion-resistant materials.
 <p>DBZ, DBZ-A, DBZ-B</p>	Mixers, compressors, agitators, blowers and fans, centrifugal pumps, conveyors.	 <p>SV</p>	Vertical drives such as sewage pumps, printing machines, marine pumps. Available as a standard in corrosion-resistant materials.
 <p>Series XTSR52</p>	Pumps and compressors (centrifugal, rotary, lobe and axial), speed increasers, fans, dynamometers.	 <p>Adjustable Length SN</p>	Same applications as SN but where axial and/or angular adjustment is desired.
 <p>Series XTSR71</p>	Pumps and compressors with popular shaft separation standards, blowers, fans, speed increasers.	 <p>ST</p>	Accommodates angular misalignment only. Three-bearing applications where radial load is supported by the coupling, such as single-bearing generators, V-belt sheaves, etc.
 <p>AMR</p>	Reciprocating pumps and compressors, fan drives, blowers, heavy-duty industrial drives, crushers, extruders, hoists, dredges, generators, chippers, calenders, mill drives, conveyors.	 <p>SN Single</p>	Accommodates angular misalignment only. May be used with intermediate solid shaft for applications similar to BMR, but with high speed capacity. Available in corrosion-resistant materials.
 <p>CMR</p>	Engine drivers, reciprocating pumps and compressors, heavy-duty industrial drives where flywheel mounting is required.	 <p>THP</p>	Turbines, pumps, compressors, speed increasers, test stands.
 <p>BMR</p>	Blowers, fans, crushers, marine drives, dredge pumps, hoists, heavy-duty industrial drives, reciprocating pumps and compressors, paper mill drives, conveyors	 <p>Series 63</p>	Turbines, pumps, compressors, test stands, generators, speed increasers.
 <p>Series 44</p>	Engine drivers, reciprocating pumps and compressors, heavy-duty industrial drives where flywheel mounting is required.	 <p>SN-GA</p>	Pulp and paper machines, line shafts, pelletizers, crushers and mill drives. Replacing long span gear couplings, bolting to existing rigid hubs.
 <p>Miniature Couplings</p>	Tachometers, encoders, switches, ball screws, test stands, pumps, compressors, centrifuges, theodolites, sonar, radar, scales, carburetors.		

NOTE: Dimensions subject to change. Certified dimensions of ordered material furnished on request.

Rexnord Thomas Flexible Couplings

Flexible Coupling Overview

A flexible coupling is a device used to connect the ends of two shafts, transmit torque, and at the same time, accommodate slight misalignments which develop in service.

The primary functions of all flexible couplings are:

1. To transmit power from one shaft to another, efficiently and effectively.
2. To accommodate slight shaft misalignments which develop in service.

The secondary functions of flexible couplings are:

1. Protect connected equipment:
 - a. Absorb shock, vibration and pulsations.
 - b. Decrease cross load on bearings.
 - c. Accept load reversals.
 - d. Minimize backlash.

2. Minimize "installation" and "maintenance" difficulties. Shafts become misaligned during operation because of settling foundations, the effects of heat, vibration, etc. These misalignments take place in the form of angular misalignment, parallel misalignment or axial movement of the shafts; therefore, to get full service life from any flexible coupling, it is necessary to:
 - a. Assure proper shaft alignment during initial installation.
 - b. Occasionally check for and correct shaft misalignments during operation.

Misalignment Overview

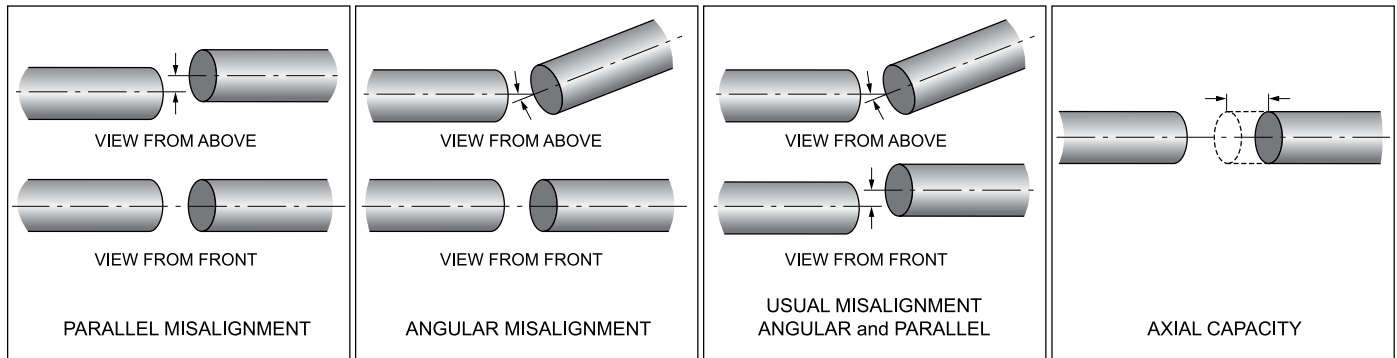
Misaligned shafts not properly coupled are subject to severe stresses that damage bearings and seals. Any or all of the misalignments shown in the above diagrams are present in all connected drives; therefore, it is imperative that flexible couplings be used to avoid costly damage to your equipment.

Initial alignment of machinery is one of the most critical factors affecting coupling performance and reliability. Each particular style of coupling has its own misalignment capabilities. The installation and alignment instructions outline the initial alignment requirements. These initial values are approximately one-third of the total coupling misalignment capacity. This means that the coupling has ample reserve to compensate for operational misalignments which develop as a result of bearing wear, foundation settling, thermal growth, pipe strain, etc. However, the closer the initial alignment, the

more reserve margin a coupling has to compensate for misalignments during the life of the machine. A coupling that operates with large amounts of misalignment will have a limited life, while a coupling operating within capacity will have infinite life.

The customer and coupling manufacturer must mutually select the correct size and type coupling for the application. Good service life will then become a reality if proper installation and alignment procedures are followed.

The following pages show basic coupling arrangements and load classifications based on years of experience in coupling applications in all phases of power transmission. Any unusual operating or misalignment conditions should be referred to Rexnord to assure proper selection of size and type of coupling.



Maximum RPM and Balance Recommendations

Rexnord has developed recommendations for coupling balancing based on AGMA 9000-D11 and the inherent balance level of the various couplings shown in this catalog. These are shown on the data sheets as follows:

Max. RPM Not Balanced

This is the maximum operating speed where the coupling will operate under normal conditions, and not create unacceptable vibration due to coupling unbalance. This is based on many years of operating experience on a wide variety of drive systems.

Max. RPM Balanced

This is the maximum operating speed where the coupling, after balancing, will still be compatible with the typical drive system. Consult Rexnord for speed requirements in excess of this value; special designs or manufacturing procedures may be required.

Certain coupling types are not suitable for dynamic balancing, and should not be used if balancing is required. These types are AMR, CMR, BMR and ST.

Series 63 and THP couplings are always furnished dynamically balanced in accordance with the requirements of the application.

CAUTION: All rotating power transmission products are potentially dangerous and must be properly guarded. Never operate coupling without an OSHA-approved guard.

Rexnord Thomas Coupling Selection

Quick Coupling Selection Procedure

The following procedure can be used to select disc couplings for most applications.

For applications involving other than normal loading in design, special considerations must be given to coupling selection. Rexnord application engineers are readily available for selection, advice and assistance.

1. Select coupling type.

Refer to page 3 and select the type of coupling to suit your application. If an application requires a special purpose coupling, refer application details to the local Rexnord Representative.

2. Calculate operating torque of application.

- a. Use the following formula to calculate operating torque of application:

$$i. \text{ Torque (Nm)} = \frac{\text{Driver Kilowatts} \times 9.550}{\text{Operating Speed}}$$

3. Determine service factor.

- a. Find application in table on page 6; use the service factor value assigned to that application.

- b. Note: if application not listed, see Load Classification Table on page 6.

- c. Note: The service factor table considers the driven equipment only and assumes a normal electric or turbine driver. For prime movers of the reciprocating type (engines, etc) use the engine drive service factor adder on page 6 to the selected service factor.

4. Multiply operating torque by the selected service factor to determine minimum required torque rating of coupling.

5. Find coupling in the coupling type section of catalog that meets the minimum required torque rating.

6. Verify that the selected coupling will accommodate the shaft sizes or flywheel if engine mount, of driving and driven equipment. Shaft diameters should be equal or less than published maximum bore of selected coupling.

- a. If coupling will not accommodate shaft sizes, select the next largest size that will accommodate shaft sizes.

7. Verify coupling selected can accommodate operating speed of application.

8. Check limiting data.

- a. Other data in coupling type section of catalog can be used to verify that selected coupling will work in application. Additional data can help verify application envelope of space, weight and WR^2 considerations.

IMPORTANT NOTE:

The coupling selection criteria is intended for the determination of the coupling and style only. It is also recommended that the system be analyzed for torsional and lateral stability using the specific mass elastic data available from Rexnord. The analysis is the responsibility of the user since the coupling is only a single component in the system.

Rexnord Thomas Coupling Nomenclature

Use the following nomenclature guide to identify and order Thomas Disc Couplings.

Coupling Size	Type/Series	Modifications	Distance Between Shaft Ends ("C" Length)	Hub Bore
2506	XTSR71	B	9.00	3.250 x 2.50
	XTSR71	B = Balanced	9.00"	110 mm x Taper
	XTSR52	ES = Engineered Special	N/A	1.00 x 2.00
	DBZ	L = Long Hub	130 mm	Taper x 3.00
	AMR	W = Large Hub w/ adapter		etc.
	CMR	C = Special Coating (defined on drawings)		
	SR54RDG	D = Special Disc Pack Material (defined on drawings)		
	SN	R = Retrofit assembly (XTSR71 with special adapters to bolt up to John Crane or Thomas adapter hubs)		
	THP			
	SR63			
	SR71			
	SR71-8			
	SR52			

NOTE: Dimensions subject to change. Certified dimensions of ordered material furnished on request.

Rexnord Thomas Coupling Selection



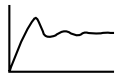



Typical Service Factors – Motor And Turbine Driven Equipment*

Application	Service Factor	Application	Service Factor	Application	Service Factor
AGITATORS		Bottling 1.5		Presses 2.0	
Pure Liquids..... 1.0		GENERATORS		Reel 1.5	
Variable Density 1.5		Non-Welding..... 1.5		Stock Chests 1.5	
ALTERNATOR	1.5	Welding 3.0		Suction Roll 2.0	
BLOWERS		HAMMER MILLS	3.0	Washers and Thickeners..... 1.5	
Centrifugal 1.0		LUMBER INDUSTRY		Winders..... 1.5	
Lobe 1.5		Barkers - Drum Type 2.5		PRINTING PRESSES	1.5
Vane 1.5		Edger Feed 2.0		PULLERS	
BRIQUETTER MACHINES	2.0	Live Rolls 2.0		Barge Haul 2.0	
CAN FILLING MACHINES	1.0	Log Haul - Incline 2.0		PUMPS	
CANE KNIVES	2.0	Log Haul - Well Type..... 2.0		Centrifugal	
CAR DUMPERS	2.5	Off Bearing Rolls..... 2.0		General Duty (Liquid)..... 1.0	
CAR PULLERS	1.5	Planer Feed Chains 2.0		Boiler Feed 1.5	
CLAY WORKING MACHINERY	2.0	Planer Floor Chains 2.0		Slurry (Sewage, etc.)..... 1.5	
COMPRESSORS		Planer Tilting Hoist 2.0		Dredge 2.0	
Centrifugal 1.0		Slab Conveyor 1.5		Reciprocating	
Lobe, Vane, Screw..... 1.5		Sorting Table..... 1.5		Double Acting 2.0	
Reciprocating - Multi-Cylinder..... Consult Rexnord		Trimmer Feed 2.0		Single Acting	
Axial..... 1.0		MACHINE TOOLS		1 or 2 Cylinders 2.5	
CONVEYORS - uniformly loaded or fed 1.5		Bending Roll 2.0		3 or more Cylinders 2.0	
CONVEYORS - heavy duty - not uniformly fed 2.5		Plate Planer 1.5		Rotary - Gear, Lobe, Vane 1.5	
CRANES AND HOISTS	2.0	Punch Press - Gear Driven..... 2.0		RUBBER INDUSTRY	
CRUSHERS	3.0	Tapping Machines..... 2.5		Mixer - Banbury..... 3.0	
DREDGES		Other Machine Tools		Rubber Calendar 2.0	
Cable Reels 2.0		Main Drives..... 1.5		Rubber Mill (2 or more) 2.5	
Conveyors..... 1.5		Auxiliary Drives..... 1.5		Sheeter..... 2.0	
Cutter Head Drives 2.5		METAL MILLS		Tire Building Machines 2.5	
Jig Drives 2.5		Draw Bench - Carriage 2.5		Tire & Tube Press Openers..... 1.0	
Maneuvering Winches..... 2.0		Draw Bench - Main Drive..... 2.5		Tubers and Strainers 2.0	
Pumps..... 2.0		Forming Machines 2.5		SCREENS	
Screen Drives..... 2.0		Stitlers..... 2.0		Air Washing 1.0	
Stackers 2.0		Table Conveyors		Rotary - Stone or Gravel..... 1.5	
Utility Winches 1.5		Non-Reversing 2.5		Traveling Water Intake 1.5	
ELEVATORS		Reversing 3.0		Vibratory 2.5	
Bucket 2.0		Wire Drawing & Flattening Machine..... 2.0		SEWAGE DISPOSAL EQUIPMENT	1.5
Centrifugal Discharge..... 1.5		Wire Winding Machine..... 2.0		SEWAGE TREATMENT PUMPS	1.5
Escalators..... 1.5		MILLS, ROTARY TYPE		TEXTILE INDUSTRY	
Freight..... 2.0		Ball..... 2.5		Batchers 1.5	
Gravity Discharge..... 1.5		Cement Kilns..... 2.0		Calenders..... 2.0	
EXTRUDERS		Dryers & Coolers..... 2.0		Card Machines 1.5	
Plastic 2.0		Kilns..... 2.0		Cloth Finishing Machines	
Metal..... 2.5		Pebble..... 2.0		(washers, pads, tenters)	
FANS		Rod 2.0		(dryers, calenders, etc.)..... 1.5	
Centrifugal		Tumbling Barrels..... 2.0		Dry Cans 2.0	
Forced Draft (Hostile Environment) 1.5		MIXERS		Dryers 1.5	
Induced Draft (Hostile Environment) 1.5		Concrete Mixers..... 2.0		Dyeing Machinery..... 1.5	
Axial		Drum Type..... 2.0		Looms 1.5	
Forced Draft (Hostile Environment) 1.5		OIL INDUSTRY		Mangles 1.5	
Induced Draft (Hostile Environment) 1.5		Chillers 1.5		Nappers..... 1.5	
Mine Ventilation 2.5		Oil Well Pumping..... 2.0		Soapers..... 1.5	
Cooling Towers 1.5		Paraffin Filter Press..... 2.0		Spinners..... 1.5	
Light Duty Blower & Fans 1.0		Rotary Kilns 2.0		Tenter Frames..... 1.5	
FEEDERS		PAPER MILLS		Winders (Other than Batchers) 1.5	
Light Duty 1.5		Barker Auxiliaries, Hydraulic 2.5		WINDLASS	2.0
Heavy Duty..... 2.5		Barker, Mechanical..... 2.5		WOODWORKING MACHINERY	1.5
FOOD INDUSTRY		Barking Drum (Spur Gear Only) 2.5			
Beet Slicer 2.0		Beater & Pulper..... 2.0			
Cereal Cooker 1.5		Bleacher 1.0			
Dough Mixer..... 2.0		Calenders..... 2.0			
Meat Grinders..... 2.0		Converting Machines, except			
Can Filling Machine..... 1.0		Cutters, Platers..... 1.5			
		Couch 2.0			
		Cutters, Platers..... 2.0			
		Cylinders..... 2.0			
		Dryers..... 2.0			
		Felt Stretcher 1.5			
		Felt Whipper 2.0			
		Jordans 2.0			
		Log Haul 2.0			

*Service Factors in this table are for driven equipment based on smooth prime movers such as electric motors and turbines. For reciprocating prime movers, such as diesel or gas engines, add the following to the Service Factor:

For 8 or more cylinders, add 0.5.
 For 6 cylinders, add 1.0.
 For 4 cylinders, add 1.5.
 For less than 4 cylinders, consult Rexnord.

Service Factors – Service Factors are a means of classifying different equipment and applications into various load classifications. Due to variations in application of equipment, service factors are used to adjust equipment ratings to accommodate for variable loading conditions.

	Load Classifications	Service Factors		Load Classifications	Service Factors
	Continuous service and running loads vary only slightly.	1.0		For shock loading and substantial torque variations.	2.5
	Torque loading varies during operation of the equipment.	1.5		For heavy shock loading or light reversing drives.	3.0
	Torque loading varies during operation, frequent stop/start cycles are encountered.	2.0		Reversing torque loads do not necessarily mean reversal of rotation. Depending upon severity of torque reversal, such loads must be classified between "medium" and "extreme."	Consult Rexnord

Rexnord Thomas Flexible Disc Couplings

Ordering Instructions

Complete steps 1 through 6 below. See page 35 for types of fits and shaft diameters.

1. Determine quantity.
2. Determine coupling size and type.
3. Determine bore sizes. Couplings will be bored in accordance with ANSI/AGMA 9112-A04. The type of bore fit normally supplied by Rexnord is listed below.

Bore Specifications

DBZ	Straight Bore – Clearance fit – stocked Straight Bore – Interference fit on bore-to-order sizes ① Taper Bore – To customer specification
AMR, BMR, CMR, SN, SF, SV, ST, 52, 54RDG, 54RD, 71, 71-8, XT52, XT52, XT52, XT52	Straight Bore – Interference fit on all bores ① Taper Bore – To customer specification
Series 63/THP	All bores per customer specification
Miniatures	See pages 28-30.

① Unless specified otherwise by customer.

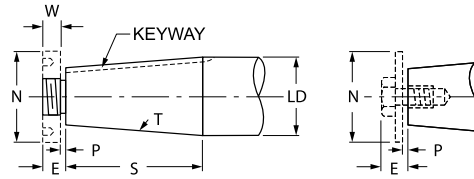
NOTE: Rexnord recommends an interference fit be used whenever possible.

4. Determine keyway and set screw sizes (if non-standard).
5. Determine dynamic balancing (if required).
6. Additional data (where applicable).
 - a. Disc pack material (if other than Tomaloy).
 - b. Free or interference fit on shafts (if shaft diameters are given).
 - c. Complete details on tapered bore requirements, see supplemental taper bore information section below.
 - d. On DBZ-A Couplings:
 1. Identify bore of standard hub and bore of extended hub.
 - e. On SN, SF, and SV Couplings:
 1. Corrosion resistance class
 2. "L" dimension
 3. Dynamic balancing if required
 4. Sketch of stub shaft (SF only) if non-standard
 5. On SV, identify bore of upper hub and lower hub
 6. Operating speed required
 - f. On BMR Couplings:
 1. Solid shaft diameter, if ordered
 2. "L" dimension
 - g. On CMR Couplings:
 1. Adapter:
 - (a) Outside diameter
 - (b) Bolt circle diameter
 - (c) Bolt hole diameter
 - (d) Number of bolts and spacing

Ordering Information – Tapered Bores

Information Required

1. Drawing of hub showing complete bore and keyway details.
- OR -
2. Drawing of shaft with dimensions shown below, allowing Rexnord to bore hubs to suit.



(LD) Large diameter, specify in decimals.

(S): Length of taper; measure parallel to shaft centerline.

(T): Taper per foot; difference in diameter in one foot length.

(P): Clearance space for drawing hub up on tapered shaft.
Usually 1/8 in. or 1/4 in., depending on shaft size and taper.

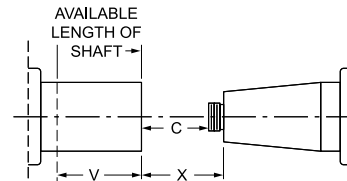
Keyway: Width, depth.

NOTE: Specify if keyway is parallel to taper or if parallel to shaft center line. Specify depth at larger diameter of taper if keyway is parallel to shaft center line.

Supplemental Taper Bore Information

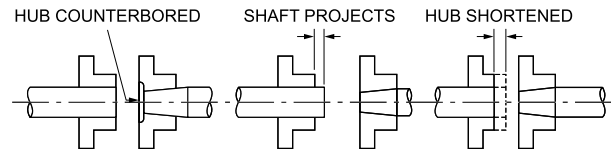
With connected equipment in fixed position, the following additional information is necessary:

Dimensions "V" and "X" must be given when one or both connected machines are fixed on their bases. Advise if dimension "X" is fixed, or if variable between what limits.



A fixed "X" dimension may require altered or special coupling hubs. Often the straight bored hub can be positioned on its shaft allowing the use of a standard coupling. See illustrations below.

Consult AGMA Standard 9002-A86 "Taper Bores for Flexible Couplings" for new applications.



Rexnord Thomas Flexible Disc Couplings

Close-Coupled Series 54RDG

Series 54RDG couplings are reduced diameter gear and grid replacement couplings. Applications include any situation where the overall shaft-to-shaft spacing is minimal. The center member of the 54RDG is split axially, which permits maintenance of the couplings without moving the hubs or the connected equipment. Center member is piloted into the adapter providing high-speed potential at high-torque density.

Construction

Hubs and Center members: Carbon steel

Bolts: Alloy steel

Disc Packs: Stainless steel

Coatings Available: Consult Rexnord

Other disc pack materials such as Tormaloy, Monel and Inconel are available; please consult Rexnord.

Misalignment: 1/8° per disc pack

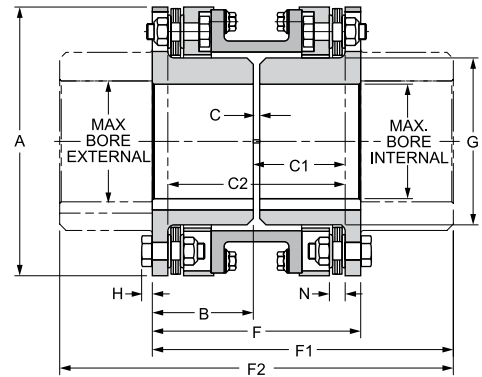
When specified, Series 54RDG couplings meet all requirements of API 610 or API 671.

If application requires API specification, please consult Rexnord.



General Dimensions (mm)

Coupling Size	Max. Bore* Internal	Max. Bore* External	A	B	C	C1**	F	F1**	H	N	G	C2***	F2***
125	30	34	97	47.8	3.0	44.5	99	126	4.3	6.9	45	85.9	152
162	42	50	114	47.8	3.0	45.0	99	137	4.3	7.4	59	86.9	176
200	58	58	141	53.8	3.0	49.8	111	156	5.6	9.1	83	96.5	201
225	65	70	149	55.6	3.0	51.6	114	174	5.6	9.1	89	100.1	233
262	74	84	175	65.8	4.8	61.5	136	200	6.4	11.9	105	118.1	264
312	95	97	199	72.1	4.8	66.5	149	225	7.6	12.7	127	128.3	300
350	100	110	223	83.3	6.4	77.7	114	256	5.6	13.7	140	149.1	340
375	114	120	247	90.4	6.4	82.8	136	275	6.4	15.0	154	159.3	363
425	120	130	267	100.8	6.4	91.7	149	301	7.6	15.7	167	177.0	393
450	130	140	287	114.3	7.9	105.4	114	334	11.9	18.0	178	202.9	432
500	137	146	327	121.4	7.9	109.7	136	358	12.7	19.8	200	211.6	466
550	150	166	367	136.4	9.7	123.7	149	400	14.7	23.1	222	237.7	517
600	166	176	406	152.4	9.7	137.2	114	442	17.0	24.9	237	264.7	570
700	195	205	464	177.8	9.7	158.0	136	514	19.1	30.5	276	306.3	662
750	206	224	503	196.9	12.7	177.8	149	565	21.3	32.3	299	342.9	724
800	223	241	546	209.6	12.7	187.2	114	606	23.1	34.0	318	361.7	781
850	235	250	584	225.6	14.2	202.4	136	650	25.4	35.6	335	390.7	835
925	248	267	635	251.7	15.7	226.3	149	719	27.7	38.1	359	436.9	920



* Uses Series 52 hubs. Non-bored hubs available upon request.

** Hubs may be reversed for alternate shaft spacing.

*** Both hubs reversed.

Coupling Size	Max. Kilowatt Per 100 RPM	Max. RPM		Max. Continuous Torque (Nm)	Peak Overload Torque (Nm)	② Weight (kg)	② WR ² (kg-m ²)	③ Axial Capacity (mm)
	Service Factor 1.0	① Not Balanced	① Balanced					
125	3.2	4,600	10,500	305	610	3.1	0.0037	±0.91
162	6.3	4,200	9,700	604	1,209	4.2	0.0070	±0.91
200	12.4	3,800	8,600	1,185	2,370	7.3	0.0196	±0.91
225	20.7	3,700	8,400	1,976	3,952	8.6	0.0249	±0.91
262	38.8	3,600	7,400	3,706	7,412	14.1	0.0562	±1.09
312	60.8	3,000	6,700	5,803	11,606	20.9	0.112	±1.29
350	79.2	2,800	6,200	7,552	15,104	30.0	0.202	±1.42
375	118.7	2,500	5,800	11,323	22,646	40.0	0.339	±1.57
425	158.9	2,300	5,400	15,161	30,322	53.1	0.521	±1.70
450	178	2,200	5,000	16,979	33,958	69.9	0.787	±1.82
500	291.5	2,000	4,600	27,817	55,634	101.7	1.45	±2.02
550	390.9	1,900	4,200	37,300	74,600	147.1	2.62	±2.33
600	513.3	1,800	3,900	48,973	97,946	198.4	4.36	±2.59
700	798.4	1,700	3,600	76,242	152,484	298.3	8.49	±2.92
750	992.5	1,550	3,400	94,772	189,543	380.9	12.70	±3.17
800	1276.3	1,450	3,200	121,877	243,753	472.2	18.70	±3.45
850	1506.2	1,350	3,000	143,830	287,659	572.0	26.01	±3.65
925	2039.9	1,300	2,800	194,786	389,572	767.3	40.96	±3.96

① See page 4 for explanation of RPM limits and balancing recommendations.

② Weight and WR² with standard length hubs, maximum bore and standard "C."

③ All Thomas disc couplings meet NEMA frame sleeve bearing motor specifications without modifications or the addition of end-float restricting devices.

Rexnord Thomas Flexible Disc Couplings

Close-Coupled Types DBZ, DBZ-A, DBZ-B

The standard DBZ coupling has two hubs inverted inside the disc pack and is used where overall shaft to shaft spacing is minimal.

DBZ style has both hubs with inverted orientation.

DBZ-A style has one hub extended to permit taper boring.

DBZ-B style has both hubs extended to allow for greater spacing where required.

Construction

Hubs and Center Assembly: Carbon steel

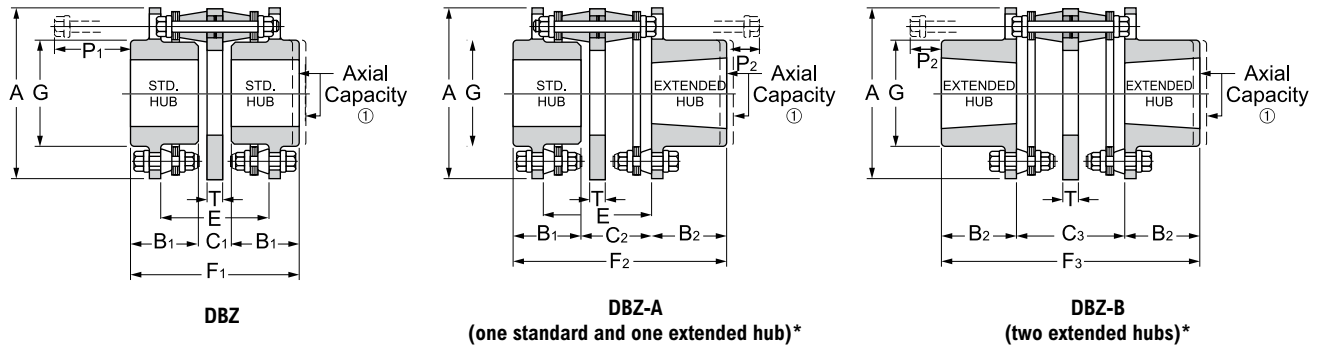
Bolts: Alloy steel

Disc Packs: Tomaloy

Coatings Available: Consult Rexnord

Other disc pack materials such as stainless steel, Monel and Inconel are available; please consult Rexnord.

Misalignment: 1/2° per disc pack



General Dimensions (mm)

Coupling Size	Standard Hub Max. Bore	Extended Hub Max. Bore	A	B ₁	B ₂	C ₁	C ₂	C ₃	E	F ₁	F ₂	F ₃	G	P ₁	P ₂	T
50	15	15	51	22	22	8.1	21.3	34.5	34.5	52.8	66.0	79.2	25	32	20	4.8
62	17	17	62	28	28	9.7	26.7	43.7	43.7	65.0	82.0	99.1	30	40	27	6.4
75	20	20	68	28	28	9.4	26.9	44.5	44.5	66.3	83.8	101.3	37	40	27	6.4
101	27	28	82	35	35	17.5	35.3	52.8	52.8	87.6	105.4	122.9	43	43	25	7.9
126	35	35	98	38	41	24.4	43.2	62.2	62.2	100.6	122.4	144.5	52	51	29	10.4
163	50	50	116	43	48	24.1	43.2	62.2	62.2	110.0	133.9	157.7	70	46	22	10.4
201	55	58	136	49	54	24.4	49.8	75.2	75.2	122.9	152.9	182.9	83	59	29	14.2
226	64	70	154	60	92	31.0	64.3	97.5	97.5	151.9	191.3	230.6	96	68	29	16.8
263	78	81	178	70	76	33.3	71.4	109.5	109.5	173.0	217.4	261.9	113	76	32	19.1
301	84	95	203	79	87	38.1	81.0	124.0	124.0	196.6	247.7	298.7	129	90	40	21.3
351	97	110	238	94	103	45.7	98.0	150.4	150.4	233.2	294.9	356.6	148	114	52	26.9
401	110	120	272	106	117	49.3	109.7	170.2	170.2	262.1	333.5	404.9	168	130	59	30.2
451	130	130	308	121	133	53.8	119.9	184.9	184.9	296.2	373.9	451.6	187	138	60	34.0

Coupling Size	Max. Kilowatts Per 100 RPM	Max. RPM		Max. Continuous Torque (Nm)	Peak Overload Torque (Nm)	② Weight (kg)			② WR ² (kg-m ²)			① Axial Capacity (mm)
	Service Factor 1.0	Not Balanced	Balanced			DBZ	DBZ-A	DBZ-B	DBZ	DBZ-A	DBZ-B	
50	0.2	6,000	9,000	16	25	0.3	0.3	0.3	0.0001	0.0001	0.0001	±0.58
62	0.3	6,000	8,200	28	42	0.7	0.7	0.7	0.0002	0.0002	0.0002	±0.71
75	0.4	6,000	7,800	40	60	0.9	0.9	0.9	0.0004	0.0004	0.0004	±0.81
101	0.8	6,000	7,100	78	118	1.5	1.5	1.5	0.0013	0.0013	0.0013	±0.96
126	1.5	5,500	6,500	142	215	2.5	2.5	2.6	0.0029	0.0030	0.0030	±1.16
163	2.0	5,000	6,000	192	294	3.8	3.9	4.0	0.006	0.006	0.006	±1.44
201	3.6	4,600	5,500	341	508	6.5	6.5	7.0	0.016	0.016	0.016	±1.70
226	6.5	4,100	5,200	621	938	9.5	10.0	10.4	0.028	0.028	0.031	±1.93
263	10.2	3,700	4,800	972	1458	15.0	15.4	15.9	0.058	0.061	0.061	±2.26
301	15.3	3,300	4,500	1458	2192	22.7	23.6	24.5	0.107	0.110	0.113	±2.59
351	26.7	2,900	4,100	2553	3830	37.7	39.5	40.9	0.268	0.274	0.282	±2.99
401	39.3	2,700	3,900	3751	5627	56.8	56.8	61.3	0.499	0.500	0.500	±3.45
451	51.4	2,600	3,600	4904	7355	77.2	81.7	81.7	0.927	0.928	0.957	±3.91

① All Thomas disc couplings meet NEMA frame sleeve bearing motor specifications without modifications or the addition of end-float restricting devices.

② Weight and WR² at maximum bore.

* Extended hubs can be supplied with straight bores or taper bores.

NOTE: Dimensions subject to change. Certified dimensions of ordered material furnished on request.

Rexnord Thomas Flexible Disc Couplings

Thomas XTSR52 Spacer Type Series Coupling

Optimized design and construction include stainless disc packs and corrosion protection; additional modifications may be made to reduce coupling weight, or special mountings to make it an economical alternative to high performance styles. Common engineered solutions are available such as torque overload protection, electrically insulated, spark resistant and alloy construction.

The XTSR52 couplings are an all-purpose high-speed, high-torque coupling used where minimum coupling weight is desirable. The XTSR52 couplings are API 610, ISO 10441, ISO 14691 compliant, and ATEX II 2GD c T6 certified. Common applications include motor and turbine driven pumps, compressors, fans, synchronized rollers, wire feeders and blowers.

Construction

Hubs and Center assembly: Carbon steel

Bolts: Alloy steel

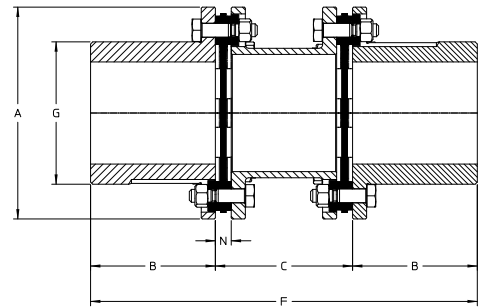
Disc Packs: Stainless steel

Coatings Available: Manganese Phosphate provided as standard, other coatings available upon request



General Dimensions (mm)

Coupling Size	③ Max. Bore	A	B	Min. C	Standard Max. C	Std. C	F	G	N
726	45	95	56	40	207.3	88.9	200.9	63.8	8.6
826	51	108	63	47	227.6	127.0	253.0	71.8	9.3
996	60	129	74	54	283.5	127.0	275.0	84.4	9.6
1088	65	140	81	58	287.5	127.0	289.0	92.1	10.4
1298	78	166	97	70	359.7	127.0	321.0	110.6	12.9
1548	94	197	116	81	435.9	139.7	371.7	132.4	14.8
1698	104	218	128	89	468.0	177.8	433.8	146.9	15.8
1928	118	245	147	96	543.6	177.8	471.8	167.7	17.1
2068	127	264	156	109	572.0	203.2	515.2	178.6	18.4
2278	140	291	172	115	636.0	203.2	547.2	196.7	19.2
2468	150	313	187	123	691.9	228.6	602.6	213.5	20.5
2698	165	343	203	139	743.7	228.6	634.6	232.1	23.5
2888	175	371	220	151	771.1	254.0	694.0	246.0	25.2
3058	185	395	235	152	847.3	254.0	724.0	263.0	25.2
3358	205	427	257	168	914.4	254.0	768.0	288.1	27.3
3668	225	466	281	184	914.4	304.8	866.8	315.2	30.4
3908	240	490	303	185	914.4	304.8	910.8	339.2	30.4
4178	255	524	322	200	914.4	304.8	948.8	361.1	32.4
4588	280	587	350	226	914.4	457.2	1157.2	392.1	35.9
4918	300	630	375	240	914.4	457.2	1207.2	420.3	38.1
5258	320	672	401	257	914.4	457.2	1259.2	449.5	40.3



Coupling Size	Max. Kilowatt Per 100 RPM	Max. RPM		Max. Continuous Torque (Nm)	Peak Overload Torque (Nm)	② Weight (kg)	Weight Change Per mm of "C" (kg/mm)	② WR ² (kg-m ²)	WR ² Change Per mm of "C" (kgm ² -mm)	① Axial Capacity (mm)
	Service Factor 1.0	④ Not Balanced	Balanced							
726	3.1	12,000	20,000	297	594	2.41	0.00363	0.00258	0.00000218	±1.3
826	5.8	10,900	18,500	554	1,110	3.87	0.00562	0.00534	0.00000459	±1.5
996	9.7	9,800	15,000	927	1,850	5.92	0.00510	0.0118	0.00000609	±1.8
1088	23.0	9,000	14,000	2,190	4,390	8.55	0.00983	0.0202	0.0000130	±1.3
1298	37.2	8,000	12,000	3,550	7,100	14.2	0.0123	0.0485	0.0000252	±1.6
1548	61.9	7,100	10,000	5,910	11,800	23.2	0.0176	0.113	0.0000528	±1.8
1698	85.7	6,600	9,100	8,190	16,400	32.1	0.0219	0.190	0.0000773	±2.0
1928	116	6,100	8,500	11,100	22,200	45.5	0.0268	0.343	0.000124	±2.3
2068	161	5,800	7,800	15,400	30,700	57.7	0.0339	0.506	0.000177	±2.5
2278	209	5,500	7,100	19,900	39,900	75.6	0.0395	0.804	0.000254	±2.7
2468	274	5,200	6,500	26,200	52,400	97.1	0.0475	1.20	0.000365	±3.0
2698	376	4,800	6,000	35,900	71,900	127	0.0606	1.90	0.000544	±3.2
2888	492	4,600	5,700	47,000	94,000	164	0.0777	2.84	0.000759	±3.5
3058	545	4,400	5,400	52,000	104,000	191	0.0771	3.71	0.000899	±3.7
3358	735	4,200	4,700	70,200	140,000	245	0.0958	5.70	0.00134	±4.0
3668	987	3,900	4,400	94,300	189,000	325	0.117	9.04	0.00196	±4.4
3908	1,080	3,800	4,100	103,000	205,000	377	0.115	11.7	0.00233	±4.7
4178	1,340	3,600	3,900	128,000	256,000	460	0.134	16.3	0.00307	±5.0
4588	1,970	3,400	3,600	189,000	377,000	650	0.188	28.0	0.00479	±5.5
4918	2,460	3,200	3,300	235,000	470,000	803	0.222	39.8	0.00643	±5.9
5258	2,970	3,100	3,100	283,000	567,000	963	0.248	54.9	0.00833	±6.3

① All Thomas disc couplings meet NEMA frame sleeve bearing motor specifications without modification or the addition of end-float restricting devices.

② Weight and WR² at maximum bore and standard "C" dimension listed.

③ Consult Rexnord for minimum rough bore sizes.

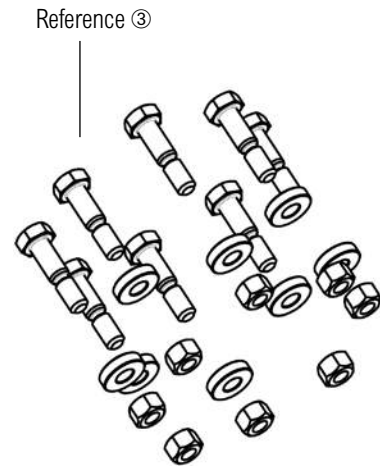
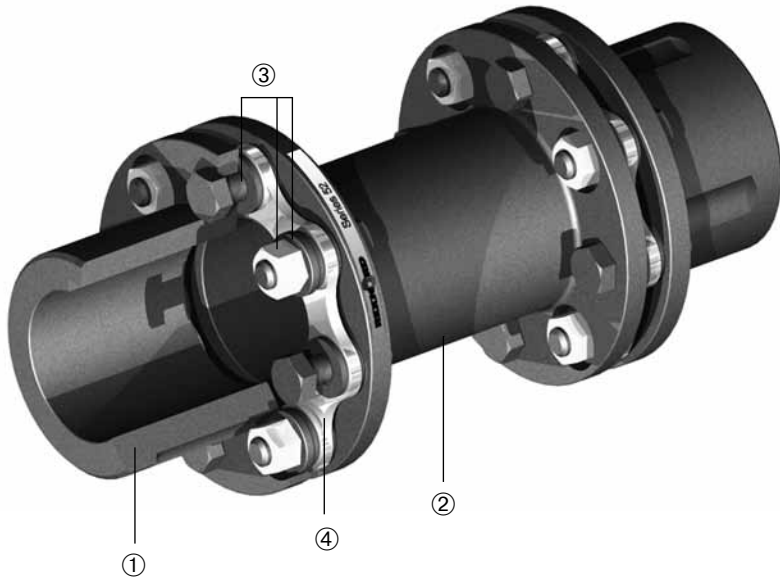
④ XTSR52 couplings meet AGMA Class 9 balance requirements as manufactured with interference fit bore and close fit keyway. If clearance fit and/or setscrews are required, consult Rexnord.

Rexnord Thomas Flexible Disc Couplings

Thomas XTSR52 Spacer Type Series Coupling

Components List

Component	① Hub	② Standard Spacer										③ Disc Pack Hardware Kit	④ Disc Pack
		88.9 mm (3.5")	100 mm	111.1 mm (4.38")	127 mm (5.0")	140 mm	180 mm	190.5 mm (7.5")	203.2 mm (8.0")	228.6 mm (9.0")	250 mm		
Size													
726	10001191	10000921	10000831	—	10000922	10000910	—	—	—	—	—	10001561	10000091
826	10001192	10000923	10000832	—	10000924	10000911	—	—	—	—	—	10001562	10000092
996	10001193	—	10000912	10000925	10000926	10000833	10000913	—	—	—	—	10001563	10000093
1088	10001194	—	—	10000927	10000928	10000834	10000914	—	—	—	—	10001564	10000094
1298	10001195	—	—	10000929	10000930	10000835	10000915	—	—	—	—	10001565	10000095
1548	10001196	—	—	—	10000931	10000916	10000836	10000932	10000933	—	10000917	10001566	10000096
1698	10001197	—	—	—	—	—	10000837	10000934	10000935	—	10000918	10001567	10000097
1928	10001198	—	—	—	—	—	10000838	10000936	10000937	10000938	10000919	10001568	10000098
2068	10001199	—	—	—	—	—	10000920	10000939	10000940	10000941	10000839	10001569	10000099
2278	10001200	—	—	—	—	—	—	—	10000942	10000943	10000840	10001570	10000100
2468	10001201	—	—	—	—	—	—	—	—	10000944	10000841	10001571	10000101
2698	10001202	—	—	—	—	—	—	—	—	10000945	10000842	10001572	10000102
2888	10001203	—	—	—	—	—	—	—	—	—	10000843	10001573	10000103
3058	10001204	—	—	—	—	—	—	—	—	—	10000844	10001574	10000104
3358	10001205	—	—	—	—	—	—	—	—	—	10000845	10001575	10000105
3668	10001206	—	—	—	—	—	—	—	—	—	—	10001576	10000106
3908	10001207	—	—	—	—	—	—	—	—	—	—	10001577	10000107
4178	10001208	—	—	—	—	—	—	—	—	—	—	10001578	10000108
4588	10001209	—	—	—	—	—	—	—	—	—	—	10001579	10000109
4918	10001210	—	—	—	—	—	—	—	—	—	—	10001580	10000110
5258	10001211	—	—	—	—	—	—	—	—	—	—	10001581	10000111



NOTE: Dimensions subject to change. Certified dimensions of ordered material furnished on request.

Rexnord Thomas Flexible Disc Couplings

Thomas XTSR71 Adapter Series Coupling

The optimized 3-piece design allows for the smallest possible package for an application. The hubs are pilot fitted to the factory assembled center member. The design allows for repeatable installations without special tooling. Additional modifications may be made to reduce coupling weight, or special mountings to make it an economical option on various critical and high speed applications. Common engineered solutions are available such as torque overload protection, electrically insulated, spark resistant and alloy construction.

The XTSR71 couplings are designed for spacer type coupling critical applications including API applications. The XTSR71 couplings are API 610, ISO 10441 and ISO 14691 compliant, API 671 when specified, and ATEX II 2GD c T6 certified. Common applications include motor and turbine driven pumps, compressors, fans, synchronized rollers, wire feeders and blowers.

Construction

- Hubs and center assembly: Carbon steel
- Bolts: Alloy steel
- Disc Packs: Stainless steel
- Coatings Available: Manganese Phosphate provided as standard, other coatings available upon request

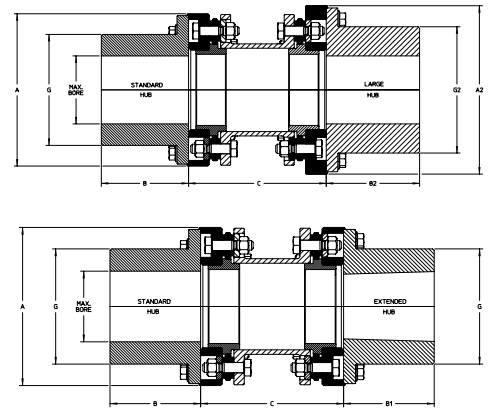


General Dimensions (mm)

Coupling Size	③ Hub* Max. Bore	③ Hub** Max. Bore	A	A2**	B	B2**	Min. C	Max. C	Std. C	G	G2**
726	42	52	95.0	108.0	35	42	65	220.0	88.9	59	73
826	52	61	108.0	129.0	42	51	77	242.8	127.0	73	86
996	61	74	129.0	140.0	51	82	92	301.2	127.0	86	104
1088	74	88	140.0	166.0	82	95	96	306.6	127.0	104	123
1298	88	102	166.0	199.0	95	114	115	385.1	127.0	123	145
1548	102	118	199.0	220.0	114	122	135	461.3	139.7	145	165
1698	118	130	220.0	245.4	122	135	151	493.4	177.8	165	182
1928	130	142	245.4	264.0	135	155	161	569.0	177.8	182	200
2068	142	155	264.0	290.5	155	167	187	597.4	203.2	200	220
2278	155	166	290.5	313.0	167	190	196	666.5	203.2	220	236
2468	166	200	313.0	345.0	190	185	209	722.4	228.6	236	280
2698	200	220	345.0	381.0	185	200	236	774.2	254.0	280	308
2888	220	235	381.0	405.0	200	191	255	801.6	304.8	308	332
3058	235	254	405.0	437.0	191	225	257	877.8	304.8	332	355
3358	254	280	437.0	482.0	225	257	287	914.4	304.8	355	398
3668	280	295	482.0	503.0	257	249	310	914.4	381.0	398	419
3908	295	315	503.0	529.0	249	266	311	914.4	381.0	419	444
4178	315	355	529.0	608.0	266	300	340	914.4	381.0	444	504
4588	355	385	608.0	648.0	300	320	386	914.4	457.2	504	545
4918	385	405	648.0	678.0	320	346	408	914.4	457.2	545	575
5258	405	-	678.0	-	346	-	438	914.4	457.2	575	-

* Reference for small hub

** Reference for large hub



Coupling Size	Max. Kilowatt Per 100 RPM		Max. RPM		Max. Continuous Torque (Nm)	Peak Overload Torque (Nm)	② Weight (kg)	Weight Change Per mm of "C" (kg/mm)	② WR ² (kg-m ²)	WR ² Change Per mm of "C" (kgm ² -mm)	① Axial Capacity (mm)
	Service Factor 1.0	④ Not Balanced	Balanced								
726	3.11	11,000	20,000	297	594	3.1	0.00311	0.00364	0.0000214	±1.3	
826	5.80	9,900	18,500	554	1,110	5.0	0.00535	0.00770	0.0000492	±1.5	
996	9.71	8,800	15,000	927	1,850	8.4	0.00503	0.0188	0.0000667	±1.8	
1088	23.0	8,000	14,000	2,190	4,390	12.5	0.00966	0.0336	0.0000144	±1.3	
1298	37.2	7,100	12,000	3,550	7,100	20.6	0.0118	0.0796	0.0000268	±1.6	
1548	61.9	6,300	10,000	5,910	11,800	34.6	0.0161	0.189	0.0000530	±1.8	
1698	85.7	5,900	9,100	8,190	16,400	47.0	0.0214	0.318	0.0000827	±2.0	
1928	116	5,500	8,500	11,100	22,200	62.7	0.0251	0.533	0.000129	±2.3	
2068	161	5,200	7,800	15,400	30,700	84.9	0.0325	0.840	0.000188	±2.5	
2278	209	4,900	7,100	19,900	39,900	110.0	0.0378	1.30	0.000268	±2.7	
2468	274	4,600	6,500	26,200	52,400	143.0	0.0451	1.94	0.000379	±3.0	
2698	376	4,300	6,000	35,900	71,900	184.0	0.0572	3.30	0.000561	±3.2	
2888	492	4,000	5,500	47,000	94,000	257.0	0.0716	5.35	0.000771	±3.5	
3058	545	3,900	5,200	52,000	104,000	274.0	0.0723	6.80	0.000918	±3.7	
3358	735	3,700	4,600	70,200	140,000	366.0	0.0907	10.4	0.00138	±4.0	
3668	987	3,400	4,300	94,300	189,000	521.0	0.111	17.6	0.00202	±4.4	
3908	1,080	3,400	4,100	103,000	205,000	536.0	0.111	20.9	0.00241	±4.7	
4178	1,340	3,300	3,900	128,000	256,000	648.0	0.130	28.1	0.00321	±5.0	
4588	1,970	3,000	3,400	189,000	377,000	993.0	0.179	54.2	0.00497	±5.5	
4918	2,460	2,800	3,200	235,000	470,000	1,200.0	0.210	76.0	0.00668	±5.9	
5258	2,970	2,700	3,100	283,000	567,000	1,420.0	0.235	99.9	0.00863	±6.3	

① All Thomas disc couplings meet NEMA frame sleeve bearing motor specifications without modification or the addition of end-float restricting devices.

② Weight and WR² at maximum bore and standard "C" dimension listed.

③ Consult Rexnord for minimum rough bore sizes.

④ XTSR71 couplings meet AGMA Class 9 balance requirements as manufactured with interference fit bore and close fit keyway. If clearance fit and/or setscrews are required, consult Rexnord.

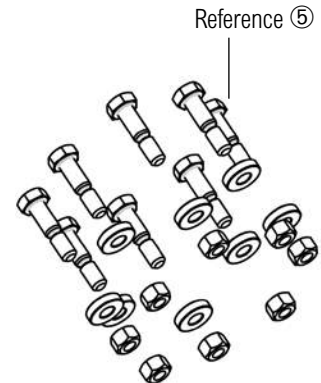
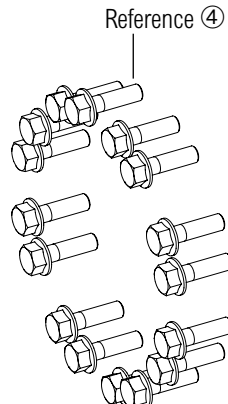
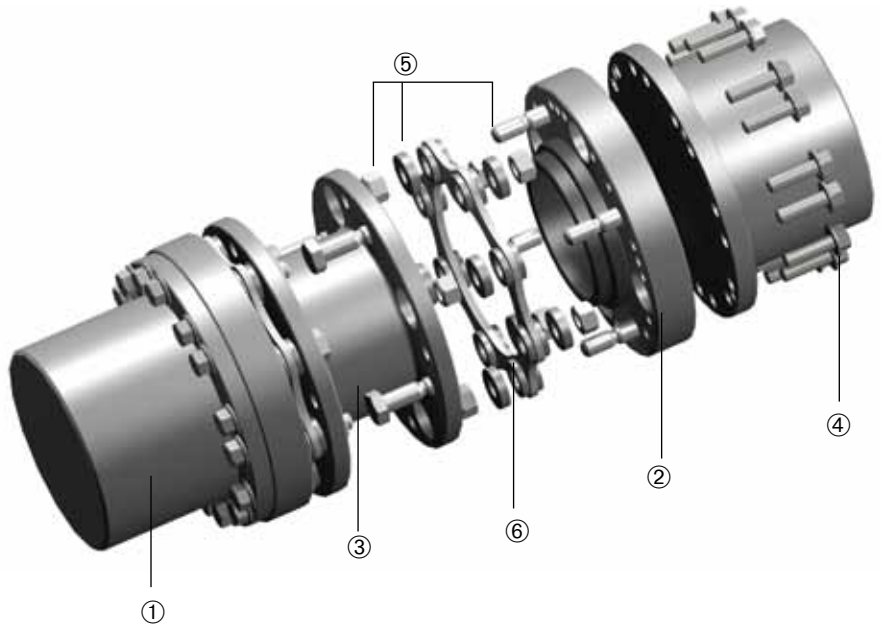
Rexnord Thomas Flexible Disc Couplings

Thomas XTSR71 Adapter Series Coupling

Components List

Component	① Hub	Large Hub	② Adapter	Large Adapter	③ Standard Spacer											
					88.9 mm (3.5")	100 mm	111.1 mm (4.38")	127 mm (5.0")	140 mm	177.8 mm (7.0")	180 mm	190.5 mm (7.5")	203.2 mm (8.0")	228.6 mm (9.0")	250 mm	
Size																
726	10001611	10001612	10001131	10001781	10000871	10000801	10000872	10000873	10000860	-	-	-	-	-	-	-
826	10001612	10001613	10001132	10001782	10000874	10000802	10000875	10000876	10000861	-	-	-	-	-	-	-
996	10001613	10001614	10001133	10001783	-	10000862	10000877	10000878	10000803	10000879	10000863	-	-	-	-	-
1088	10001614	10001615	10001134	10001784	-	-	-	10000880	10000804	10000881	10000864	-	-	-	-	-
1298	10001615	10001616	10001135	10001785	-	-	-	10000882	10000805	10000883	10000865	-	-	-	-	-
1548	10001616	10001617	10001136	10001786	-	-	-	-	-	10000866	10000885	10000806	-	-	-	10000867
1698	10001617	10001618	10001137	10001787	-	-	-	-	-	10000886	10000807	-	-	-	-	10000868
1928	10001618	10001619	10001138	10001788	-	-	-	-	-	10000887	10000808	10000888	10000889	-	-	10000869
2068	10001619	10001620	10001139	10001789	-	-	-	-	-	-	-	-	10000891	-	-	10000809
2278	10001620	10001621	10001140	10001790	-	-	-	-	-	-	-	-	10000892	-	-	10000810
2468	10001621	10001622	10001141	10001791	-	-	-	-	-	-	-	-	-	10000893	-	10000811
2698	10001622	10001623	10001142	10001792	-	-	-	-	-	-	-	-	-	-	-	10000812
2888	10001623	10001624	10001143	10001793	-	-	-	-	-	-	-	-	-	-	-	-
3058	10001624	10001631	10001144	10001794	-	-	-	-	-	-	-	-	-	-	-	-
3358	10001631	10001625	10001145	10001795	-	-	-	-	-	-	-	-	-	-	-	-
3668	10001625	10001626	10001146	10001796	-	-	-	-	-	-	-	-	-	-	-	-
3908	10001626	10001627	10001147	10001797	-	-	-	-	-	-	-	-	-	-	-	-
4178	10001627	10001628	10001148	10001798	-	-	-	-	-	-	-	-	-	-	-	-
4588	10001628	10001629	10001149	10001799	-	-	-	-	-	-	-	-	-	-	-	-
4918	10001629	10001630	10001150	10001800	-	-	-	-	-	-	-	-	-	-	-	-
5258	10001630	-	10001151	-	-	-	-	-	-	-	-	-	-	-	-	-

Component	④ Adapter Hub Hardware Kit	⑤ Disc Pack Hardware Kit	⑥ Disc Pack
726	10001591	10001561	10000091
826	10001591	10001562	10000092
996	10001592	10001563	10000093
1088	10001593	10001564	10000094
1298	10001594	10001565	10000095
1548	10001595	10001566	10000096
1698	10001596	10001567	10000097
1928	10001597	10001568	10000098
2068	10001598	10001569	10000099
2278	10001599	10001570	10000100
2468	10001600	10001571	10000101
2698	10001601	10001572	10000102
2888	10001602	10001573	10000103
3058	10001602	10001574	10000104
3358	10001603	10001575	10000105
3668	10001604	10001576	10000106
3908	10001605	10001577	10000107
4178	10001605	10001578	10000108
4588	10001606	10001579	10000109
4918	10001607	10001580	10000110
5258	10001608	10001581	10000111



NOTE: Dimensions subject to change. Certified dimensions of ordered material furnished on request.

Rexnord Thomas Flexible Disc Couplings

Type AMR

AMR couplings are used in heavy-duty, slow to medium speed applications, where high-starting torque, shock loads, torque reversals or continuous alternating torque are present. The open lug type center member provides ample clearance for assembly while minimizing the space required for coupling installation.

Construction

Hubs: Carbon steel

Center Member: Sizes 162 - 750 are cast alloy iron, sizes 800 and larger are cast steel

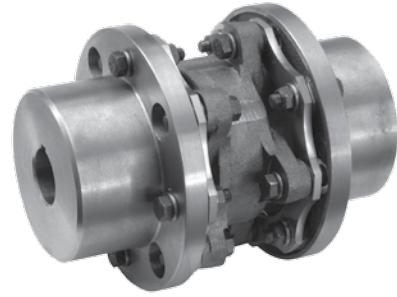
Bolts: Alloy steel

Disc Packs: Tomaloy Tpack (sizes 225 - 750)

Coatings Available: Consult Rexnord

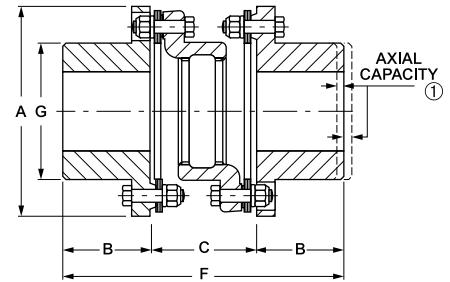
Other disc pack materials such as stainless steel, Monel and Inconel are available; please consult Rexnord.

Misalignment: 1/3° per disc pack



General Dimensions (mm)

Coupling Size	④ Rough Bore	⑥ Max. Bore	A	B	C	F	G
162	—	50	116	44	67	155	70
200	—	58	146	54	76	184	92
225	—	70	152	64	76	204	99
262	—	84	175	73	89	235	114
312	—	97	206	86	105	277	138
350	—	110	232	95	116	306	152
375	—	120	256	102	132	336	165
425	—	130	279	108	141	357	178
450	—	140	302	114	151	379	189
500	68	146	341	127	173	427	213
550	68	166	381	140	196	476	240
600	94	176	425	152	215	519	262
700	108	205	481	178	245	601	298
750	125	224	524	184	268	636	321
800	132	241	568	197	289	683	349
850	138	250	603	210	309	729	368
925	151	267	654	229	337	795	403
1000	165	290	718	241	369	851	445
1100	178	314	768	260	394	914	470
1200	191	339	848	279	433	991	514
1300	203	376	914	305	465	1075	572
1550	216	394	997	368	494	1230	660



Coupling Size	Max. Kilowatt per 100 RPM	③ Max. RPM	Max. Continuous Torque (Nm)	⑦ Peak Overload Torque (Nm)	② Weight (kg)	② ⑤ WR ² (kg-m ²)	① Axial Capacity (mm)
	Service Factor 1.0						
162	6.8	2,500	648	778	3.6	0.005	±0.91
200	13	2,500	1,245	1,494	7.3	0.017	±0.91
225	18.4	2,500	1,758	2,110	9.1	0.022	±0.91
262	24.9	2,500	2,375	2,850	14.5	0.047	±1.09
312	28	2,500	2,670	3,204	21.3	0.107	±1.29
350	62.4	2,300	5,961	7,153	32.2	0.193	±1.42
375	93.9	2,200	8,968	10,762	41.8	0.300	±1.57
425	104	2,000	9,935	11,921	53.1	0.465	±1.70
450	161	1,900	15,367	18,441	65.4	0.658	±1.82
500	237	1,800	22,663	27,196	96.2	1.241	±2.02
550	325	1,800	31,052	37,262	131.7	2.113	±2.33
600	424	1,800	40,514	48,617	176.6	3.511	±2.59
700	540	1,500	51,535	61,842	266.5	6.671	±2.92
750	763	1,500	72,808	87,369	327.8	9.919	±3.17
800	962	1,200	91,869	110,243	425.9	16.27	±3.45
850	1063	1,100	101,456	121,748	522.1	22.12	±3.65
925	1515	1,000	144,647	173,576	635.6	29.85	±3.96
1000	1758	900	167,893	201,472	863	50.33	±4.36
1100	2419	800	230,978	277,173	1,035	71.69	±4.64
1200	2604	650	248,611	298,334	1,357	115.3	±5.15
1300	2822	600	269,474	323,369	1,771	164.1	±5.53
1550	3693	600	352,676	423,211	2,338	260.1	±6.14

① All Thomas disc couplings meet NEMA frame sleeve bearing motor specifications without modification or the addition of end-float restricting devices.

② Weight and WR² at maximum bore.

③ Consult Rexnord if balancing is required.

④ Consult Rexnord for minimum rough bore on size 162-450.

⑤ Special hub available for size 600 with 6 3/4 max. bore. Consult Rexnord.

⑥ Straight bores with no keyway require a special material hub. Consult Rexnord.

⑦ The peak overload torque is not an alternating torque limit.

Rexnord Thomas Flexible Disc Couplings

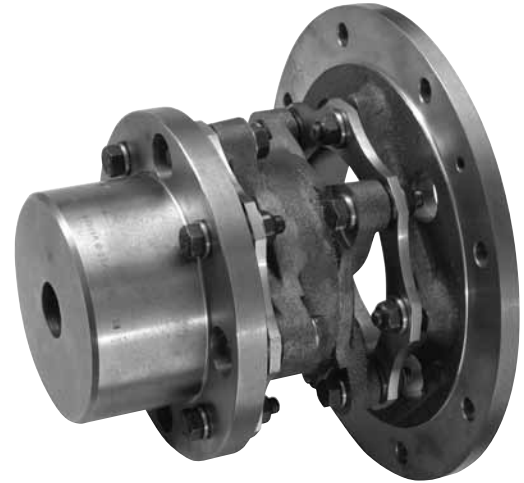
Flywheel Adapter Type CMR

CMR couplings are used in heavy-duty, slow to medium speed applications, where high-starting torque, shock loads, torque reversals or continuous alternating torque are present. The open lug type center member provides ample clearance for assembly while minimizing the space required for coupling installation.

The CMR couplings are designed with a flywheel adapter plate which bolts directly to the flywheel of an engine or compressor. The adapters are made to fit accurately into the recess in the flywheel, and external strains on the crankshaft resulting from the misalignment of the driven equipment is minimized.

Construction

- Hubs: Carbon steel
- Center Section: Sizes 162-750 are cast alloy iron, Sizes 800 and above are cast steel
- Bolts: Alloy steel
- Disc Packs: Tomaloy Tpack (225-750 size)
- Coatings: Consult Rexnord
- Other disc pack materials such as stainless steel, Monel and Inconel are available; please consult Rexnord.
- Misalignment: 1/3° per disc pack



Flywheel Adapter Information

Adapters can be furnished to accommodate virtually any flange design. Where possible, the user should select dimensions from the tables below, as these represent industry standards and thus are the most economical selection. Note that most sizes are available either with SAE bolting or Thomas heavy-duty bolting.

Available Adapters

Coupling Size	Adapters Available in Shaded Sizes (mm)										
	215.900	241.300	263.525	314.325	352.425	406.400	466.725	517.525	571.500	673.100	733.425
Adapter Tolerance	215.849	241.249	263.474	314.274	352.374	406.349	466.674	517.449	571.424	673.024	733.349
162											
200											
225											
262											
312											
350											
375											
425											
450											
500											
550											
600											
700											
750											
800											
850											

Available In These Sizes

Sizes 925 to 1550 - Adapting dimensions available upon request.
NOTE: values are metric conversions of standard SAE Inch adapter diameters.

Bolting

Standard A Diameter (mm)	Light-Duty SAE Bolting			Heavy-Duty Thomas Bolting		
	Bolt Circle	No. Holes	Hole Dia.	Bolt Circle	No. Holes	Hole Dia.
215.90	200.2	6	8.6	190.5	8	10.4
241.30	222.3	8	8.6	219.0	8	11.9
263.65	244.4	6	10.4	241.3	8	11.9
314.45	295.2	8	10.4	292.1	8	13.5
352.55	333.3	8	10.4	317.5	8	16.8
406.40	—	—	—	365.3	8	19.8
466.85	438.2	8	13.5	425.5	8	19.8
517.65	489.0	8	13.5	469.9	8	23.1
571.50	543.1	6	16.8	520.7	8	26.2
673.10	641.4	12	16.8	622.3	12	26.2
733.55	692.2	12	19.8	682.8	12	26.2

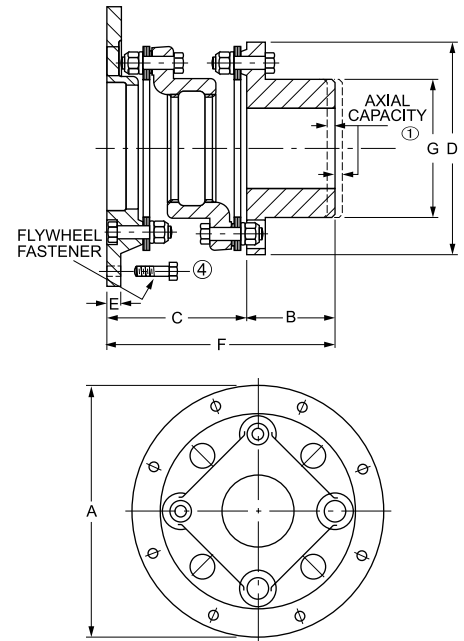
NOTE: values are metric conversions of standard SAE Inch series diameters, bolt circle diameters and bolt holes.

Rexnord Thomas Flexible Disc Couplings

Flywheel Adapter Type CMR

General Dimensions (mm)

Coupling Size	⑦ Rough Bore	② Max. Bore	Min. "A" Dia.	B	C	D	E	F	G
162	—	50	158,8	44	84	116	7,9	128	70
200	—	58	187,5	54	99	146	9,7	153	92
225	—	70	193,5	64	99	152	9,7	163	99
262	—	84	215,9	73	113	175	11,2	186	114
312	—	97	241,3	86	135	206	12,7	221	138
350	—	110	276,4	95	149	232	12,7	244	152
375	—	120	301,8	102	168	256	14,2	270	165
425	—	130	333,2	108	181	279	15,7	289	178
450	—	140	374,7	114	194	302	17,5	308	189
500	68	146	406,4	127	222	341	19,1	349	213
550	68	166	457,2	140	251	381	22,4	391	240
600	94	176	466,9	152	276	425	25,4	428	262
700	108	205	517,7	178	316	481	25,4	494	298
750	125	224	609,6	184	343	524	28,4	527	321
800	132	241	650,7	197	375	568	31,8	572	349
850	138	250	685,5	210	400	603	31,8	610	368
925	151	267	733,6	229	438	654	35,1	667	403
1000	165	290	803,1	241	471	718	41,1	712	445
1100	178	314	847,9	260	503	769	44,5	763	470
1200	191	339	952,5	279	548	861	50,8	827	514
1300	203	376	1013	305	592	914	53,8	897	562
1550	216	394	1107,9	368	603	997	53,8	971	660



Coupling Size	Max. Kilowatt per 100 RPM	③ Max. RPM	Max. Continuous Torque (Nm)	⑧ Peak Overload Torque (Nm)	⑤ ⑥ Weight (kg)	⑤ WR ² (kg-m ²)	① Axial Capacity
	Service Factor 1.0						
162	6.8	2,500	648	778	3.6	0,005	±0.91
200	13	2,500	1,245	1,494	7.3	0,017	±0.91
225	18	2,500	1,758	2,110	9.1	0,022	±0.91
262	25	2,500	2,375	2,850	14.5	0,047	±1.09
312	28	2,500	2,670	3,204	21.3	0,107	±1.29
350	62	2,300	5,961	7,153	32.2	0,193	±1.42
375	94	2,200	8,968	10,762	41.8	0,300	±1.57
425	104	2,200	9,935	11,921	53.1	0,465	±1.70
450	161	1,900	15,367	18,441	65.4	0,658	±1.82
500	237	1,800	22,663	27,196	96.2	1,241	±2.02
550	325	1,800	31,052	37,262	131.7	2,113	±2.33
600	424	1,800	40,514	48,617	176.6	3,511	±2.59
700	540	1,500	51,535	61,842	266.5	6,671	±2.92
750	763	1,500	72,808	87,369	327.8	9,919	±3.17
800	962	1,200	91,869	110,243	425.9	16,269	±3.45
850	1063	1,100	101,456	121,748	522.1	22,121	±3.65
925	1515	1,000	144,647	173,576	635.6	29,845	±3.96
1000	1758	900	167,893	201,472	749.1	45,645	±4.36
1100	2419	800	230,978	277,173	885.3	72,272	±4.64
1200	2604	650	248,611	298,334	1157.7	119,088	±5.15
1300	2822	600	269,474	323,369	1507.3	165,904	±5.53
1550	3693	600	352,676	423,211	1861.4	245,784	±6.14

- ① All Thomas disc couplings meet NEMA frame sleeve bearing motor specifications without modification or the addition of end-float restricting devices.
- ② Straight bores with no keyway require special material.
- ③ Maximum speeds are based on smallest available adapter O.D. For higher speeds, consult Rexnord.
- ④ Flywheel bolts are not supplied with coupling.
- ⑤ Weight and WR² at maximum bores and minimum adapter diameter.
- ⑥ Special hub available for size 600 with 6.75 in. max. bore. Consult Rexnord.
- ⑦ Consult Rexnord for minimum rough bore on sizes 162-450.
- ⑧ The peak overload torque is not an alternating torque limit.

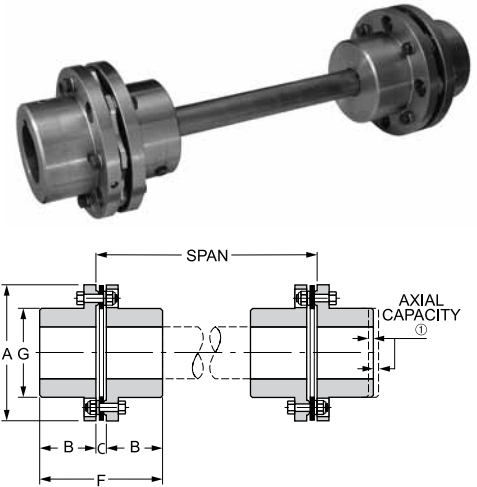
Rexnord Thomas Flexible Disc Couplings

Type BMR

Type BMR couplings are recommended for heavy-duty motor and engine driven service such as paper machines, grinding mills, dredges, and marine propulsion. The BMR uses a solid intermediate shaft which can be furnished complete by Rexnord or fabricated by the user. Hubs are carbon steel, shafting is hot or cold-rolled steel, and disc packs are Tomaloy Tpack (225-750 sizes, stainless steel also available). Misalignment: 1/3° per disc pack.

General Dimensions (mm)

Coupling Size	③ Rough Bore	② ④ Max. Bore	A	B	C	F	G
162	—	50	116	44	10	128	70
200	—	58	146	54	11	153	92
225	—	70	152	64	11	163	99
262	—	84	175	73	13	186	114
312	—	97	206	86	16	221	138
350	—	110	232	95	17	244	152
375	—	120	256	102	21	270	165
425	—	130	279	108	22	289	178
450	—	140	302	114	22	308	189
500	68	146	341	127	27	349	213
550	68	166	381	140	32	391	240
600	94	176	425	152	35	428	262
700	108	205	481	178	40	494	298
750	125	224	524	184	44	527	321
800	132	241	568	197	46	572	349
850	138	250	603	210	51	610	368
925	151	267	654	229	57	667	403
1000	165	290	718	241	62	712	445
1100	178	314	768	260	64	763	470
1200	191	339	848	279	70	827	514
1300	203	376	914	305	72	897	562
1550	216	394	997	368	77	971	660



Coupling Size	Max. Kilowatt per 100 RPM	Max. RPM	Max. Continuous Torque (Nm)	Peak Overload Torque (Nm)	② Weight (kg)	② WR ² (kg-m ²)	① Axial Capacity (mm)
	Service Factor 1.0						
162	6.8	1,800	648	778	5.9	29	±0.91
200	13	1,800	1,245	1,494	11.4	81	±0.91
225	18	1,800	1,758	2,110	13.2	105	±0.91
262	25	1,800	2,375	2,850	19.5	214	±1.09
312	28	1,800	2,670	3,204	35.9	566	±1.29
350	62	1,800	5,961	7,153	48.1	934	±1.42
375	94	1,800	8,968	10,762	63.1	1,470	±1.57
425	104	1,800	9,935	11,921	79.0	2,320	±1.70
450	161	1,500	15,367	18,441	96.7	3,085	±1.82
500	237	1,500	22,663	27,196	132.6	5,500	±2.0
550	325	1,500	31,052	37,262	190.7	9,850	±2.33
600	424	1,200	40,514	48,617	249.7	15,700	±2.59

BMR Shafting Selection Table

Coupling Size	Shaft Diameter (mm)	Max. Kw/100 for Given Shaft Dia.	Max. Allowable Shaft Wt. (kg)	Max. Span (mm) at Max. Allow Shaft Wt.	Max. Span (mm) For Various RPM			
					1800	1200	900	720
162	41	5.0	27	2591	1372	1676	1930	2159
200	51	9.9	34	2108	1524	1854	2108	2108
225	57	13.9	39	1930	1626	1930	1930	1930
262	64	17.7	81	3251	1702	2083	2413	2692
312	73	25	106	3226	1829	2235	2591	2896
350	89	56	132	2718	2007	2464	2718	2718
375	95	73	187	3353	2083	2540	2946	3302
425	108	93	228	3175	2210	2718	3124	3175
450	114	115	271	3353	2286	2794	3226	3353
500	127	169	365	3683	2413	2946	3404	3683
550	140	219	466	3886	2515	3099	3556	3886
600	152	302	588	4115	2642	3226	3734	4115

① All Thomas disc couplings meet NEMA frame sleeve bearing motor specifications without modifications or the addition of end-float restricting devices.

② Weight and WR² at maximum bore and minimum "L".

③ Consult Rexnord for minimum rough bore on sizes 162-450.

④ Straight bores with no keyway require special material.

Rexnord Thomas Flexible Disc Couplings

Series 44 Flywheel Adapter Type

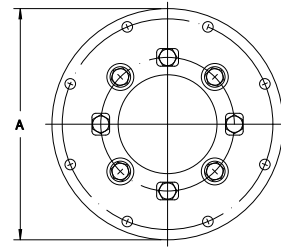
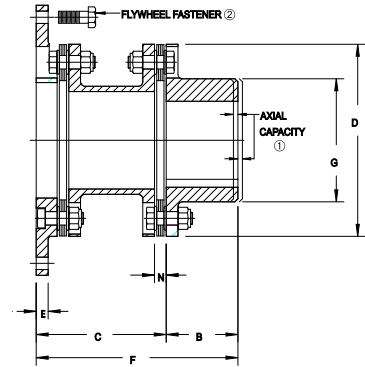
The Series 44 is an all-steel fully machined flywheel adapter style coupling. It is used in heavy-duty applications where high starting torque, shock loads, torque reversals or alternating torques are present. This coupling is similar to the type CMR, but with the following benefits:

Dimension "C" and spool are adjustable to meet specific spacing requirements and/or to make adjustment to torsional characteristics. The all-steel design provides a higher maximum continuous and peak overload torque rating. Fully-machined components offer a higher operating speed and balancing level.

Construction

Hubs and Center Assembly: Carbon Steel
 Bolts: Alloy Steel
 Disc Packs: Tomaloy Tpack (225-750 Size)
 Coatings Available: Black Oxide, Zinc, Cadmium
 Other disc pack materials such as stainless steel, Monel and Inconel are available; please consult Rexnord.
 Misalignment: 1/3° per disc pack

When specified, Series 44 couplings meet all requirements of API 610 or API 671.
 If application requires API specification, please consult Rexnord.



General Dimensions (mm)

Coupling Size	Max. Bore	Min. "A" Dia.	B	Std. C	Min. C	D	E	F (Ref.)	G	N
350	110	276	95	149	131	221	13	245	149	14
375	120	302	102	168	145	246	14	270	165	15
425	130	333	108	181	156	267	16	289	178	16
450	140	375	114	194	170	287	18	308	189	18
500	146	406	127	222	191	327	19	349	213	20
550	166	457	140	251	217	367	22	391	240	23
600	176	467	152	276	238	406	25	429	260	25
700	205	518	178	316	271	464	25	494	298	30
750	224	610	191	343	294	503	28	533	321	32
800	241	651	210	375	322	546	32	584	346	34
850	250	695	222	400	345	584	32	622	368	36
925	267	734	241	438	370	635	35	679	400	38
1000	290	803	267	471	430	699	41	738	438	43

Coupling Size	Max. Kilowatt Per 100 Service Factor 1.0	③ Max. RPM		Max. Continuous Torque (Nm)	④ Peak Overload Torque (Nm)	⑤ Weight (kg)	Weight Change Per mm of "C" (kg)	⑤ WR ² (kg-m ²)	WR ² Change Per mm of "C" (kg-m ²)	① Axial Capacity (mm)
		Not Balanced	Balanced							
350	68.7	3,200	10,500	6,562	13,124	23	0.38	0.17	0.0553	±1.42
375	100.6	3,000	9,400	9,604	19,208	32	0.47	0.29	0.0829	±1.57
425	111.8	2,800	8,700	10,677	21,354	42	0.64	0.46	0.135	±1.70
450	161.0	2,700	8,100	15,380	30,760	54	0.67	0.72	0.156	±1.82
500	237.5	2,500	7,100	22,682	45,364	80	1.04	1.27	0.313	±2.02
550	368.4	2,300	6,300	35,187	70,374	118	1.31	2.37	0.495	±2.33
600	465.3	2,150	5,700	44,440	88,880	148	1.52	3.46	0.705	±2.59
700	591.4	1,950	500	56,478	112,956	222	2.21	6.56	1.19	±2.92
750	773.4	1,850	4,600	73,861	147,722	291	2.44	10.68	1.65	±3.17
800	1034.0	1,750	4,300	98,749	197,498	365	2.52	15.85	2.30	±3.45
850	1329.0	1,600	3,900	126,924	253,848	443	3.03	21.78	2.30	±3.65
925	1827.1	1,500	3,600	174,494	348,988	585	3.85	33.29	4.61	±3.96
1000	2097.7	1,500	3,250	200,345	400,690	751	3.88	50.87	5.83	±4.36

- ① Thomas disc couplings meet NEMA MG1-14.37, 1-20.81, & 1-21.81 specifications without the addition of end-float restricting devices.
- ② Flywheel fasteners are not supplied with this coupling. Contact equipment manufacturer for this hardware and tightening instructions.
- ③ Maximum speeds are based on use with all standard available adapters. For larger sizes or higher speeds, please consult Rexnord.
- ④ The peak overload torque rating is an infrequent torque overload limit and not an alternating or vibratory torque limit.
- ⑤ Weight and WR² values are based on maximum bores and minimum adapter diameters listed above.

Rexnord Thomas Flexible Disc Couplings

Series 44 Flywheel Adapter Type

Flywheel to Adapter Bolt Patterns

Standard A Diameter (mm)	Light-Duty SAE Bolting			Heavy-Duty Thomas Bolting		
	Bolt Circle	No. Holes	Hole Dia.	Bolt Circle	No. Holes	Hole Dia.
314.5	295.2	8	10.4	292.1	8	13.5
352.6	333.3	8	10.4	317.5	8	16.8
406.4	N/A	N/A	N/A	365.3	8	19.8
466.9	438.2	8	13.5	425.5	8	19.8
517.7	489.0	8	13.5	469.9	8	23.1
571.5	543.1	6	16.8	520.7	8	26.2
673.1	641.4	12	16.8	622.3	12	26.2
733.6	692.2	12	19.8	682.8	12	26.2



All dimensions listed are in millimeters and bolt holes are equally spaced.

NOTE: values are metric conversions of standard SAE inch series diameters, bolt circle diameters and bolt holes.

Flywheel Adapter Information*

Adapters can be furnished to accommodate most flange designs. Where possible, the user should select dimensions from the tables shown, as these represent industry standards that are more economical and readily available. Note that most sizes can be supplied with either SAE light-duty bolting or Thomas heavy-duty bolting. Please contact Rexnord for custom designs.

Coupling Size	Minimum Adapter "A" Dia.	① Standard Available Adapter Diameters (mm) - Actual OD Tolerance as Listed							
		314.3	352.4	406.4	466.7	517.5	571.5	673.1	733.4
		314.3	352.4	406.3	466.7	517.4	571.4	673.0	733.3
350	276.4	Wt. = 1.76 WR ² = 0.094	Wt. = 3.75 WR ² = 0.210	Wt. = 6.95 WR ² = 0.407	Wt. = 11.08 WR ² = 0.644	Wt. = 14.98 WR ² = 0.985	Wt. = 19.57 WR ² = 0.985		
375	301.8	Wt. = 0.69 WR ² = 0.016	Wt. = 2.91 WR ² = 0.078	Wt. = 6.49 WR ² = 0.208	Wt. = 11.12 WR ² = 0.429	Wt. = 15.48 WR ² = 0.694	Wt. = 20.66 WR ² = 1.077		
425	333.3		Wt. = 1.27 WR ² = 0.037	Wt. = 5.22 WR ² = 0.180	Wt. = 10.35 WR ² = 0.425	Wt. = 15.21 WR ² = 0.720	Wt. = 20.88 WR ² = 1.141		
450	374.7			Wt. = 2.67 WR ² = 0.102	Wt. = 8.35 WR ² = 0.374	Wt. = 13.76 WR ² = 0.701	Wt. = 20.11 WR ² = 1.173	Wt. = 33.73 WR ² = 2.500	
500	406.4			Wt. = 0 WR ² = 0 ①	Wt. = 6.17 WR ² = 0.295	Wt. = 12.03 WR ² = 0.650	Wt. = 18.93 WR ² = 1.162	Wt. = 33.78 WR ² = 2.608	Wt. = 43.72 WR ² = 3.838
550	457.2				Wt. = 1.21 WR ² = 0.065	Wt. = 8.08 WR ² = 0.481	Wt. = 16.16 WR ² = 1.081	Wt. = 33.60 WR ² = 2.778	Wt. = 45.26 WR ² = 4.22
600	466.9				Wt. = 0 WR ² = 0 ①	Wt. = 7.81 WR ² = 0.473	Wt. = 17.03 WR ² = 1.158	Wt. = 36.77 WR ² = 3.081	Wt. = 49.94 WR ² = 4.713
700	517.7					Wt. = 0 WR ² = 0 ①	Wt. = 9.22 WR ² = 0.684	Wt. = 28.97 WR ² = 32.607	Wt. = 42.22 WR ² = 4.248
750	609.6							Wt. = 14.26 WR ² = 1.468	Wt. = 29.15 WR ² = 3.310
800	650.8							Wt. = 5.77 WR ² = 0.631	Wt. = 22.34 WR ² = 2.682
850	695.5								Wt. = 10.62 WR ² = 1.355
925	733.5								Wt. = 0 WR ² = 0 ①
1000	803.2	No industry standards exist for adapters to fit couplings this size or larger. Consult Rexnord.							

* Weight adder values are given in kg. WR² values are given in kg-m².

① Wt. and WR² is zero if the listed minimum adapter "A" diameter is the same as complete coupling calculated values in general dimension tables on page 18.

NOTE: Add Wt. and WR² values listed in table to the weight and inertia values provided on page 18 for given size to calculate actual values based on selected adapter size.

Rexnord Thomas Flexible Disc Couplings

Type SN-GA

Replaces troublesome gear couplings on pulp and paper applications. The Thomas one-piece, factory-torqued assembly is easy to install. This coupling is designed to bolt directly to existing rigid hubs using the gear coupling bolts. Axial shims are supplied for minor axial positioning adjustment.

Construction

Hubs and Center Assembly: Carbon steel

Bolts: Alloy steel

Disc Packs: Stainless Tpack

Coatings Available: Consult Rexnord

Other disc pack materials such as Tomaloy, stainless steel, Monel and Inconel are available; please consult Rexnord.

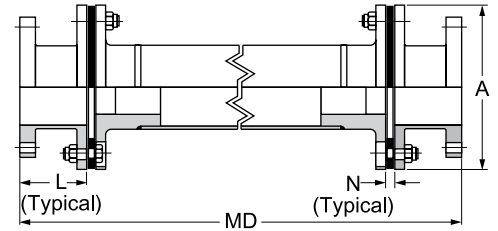
Misalignment: 1/3° per disc pack



Available Adapters

Gear Coupling Thomas Coupling	#1½ (1015)	#2 (1020)	#2½ (1025)	#3 (1030)	#3½ (1035)	#4 (1040)	#4½ (1045)	#5 (1050)	#5½ (1055)	#6 (1060)	#7 (1070)
226											
262											
312											
350											
375											
425											
450											
500T											
550T											
600T											
700T											
750T											
800T											
850T											

Available In These Sizes



For other sizes, please consult Rexnord.

Coupling Size	Max. Kilowatt per 100 RPM	Max. Continuous Torque (Nm)	Peak Overload Torque (Nm) ^②	A	L	Min. MD	N	Axial Capacity (mm) ^①
	Service Factor 1.0							
226	16.9	1611	3222	148	102	413	14.7	±0.91
262	26.0	2486	4971	170	114	438	11.9	±1.09
312	33.3	3186	6372	198	130	508	12.7	±1.29
350	41.5	3966	7931	222	135	562	13.7	±1.42
375	92	8733	17467	246	168	660	15.0	±1.57
425	139	13315	26629	267	165	667	15.7	±1.70
450 ^③	161	15365	30731	287	171	724	19.8	±1.82
500T	275	26257	52513	327	184	762	19.8	±2.00
550T	318	30414	60828	367	197	851	23.1	±2.33
600T	486	46435	92870	406	232	933	24.9	±2.59
700T	649	62026	124052	464	235	1029	30.5	±2.92
750T	746	71290	142581	503	248	1092	32.3	±3.17
800T	1074	102586	205172	546	260	—	34.0	±3.45
850T	1309	125069	250138	584	260	—	35.6	±3.65

① All Thomas disc couplings meet NEMA frame sleeve bearing motor specifications without modification or the addition of end-float restricting devices.

② The peak overload torque is not an alternating torque limit.

③ Available with Tpack for new couplings, not retrofittable in size 450.

Rexnord Thomas Flexible Disc Couplings

Floating Shaft Types SN, SF, SV

Floating shaft couplings are used to connect units which are relatively far apart. Such arrangements are particularly suited to transmit power into areas where moisture, dust or corrosive conditions would adversely affect the driving machinery. Floating shaft couplings' operating speeds are dependent upon the length of span required. Refer to the speed/span table for speed recommendations. In addition, special balancing may be required for high-speed service or for extended shaft lengths. Consult Rexnord for intended applications at speeds not covered in the table. The SN, SF and SV type couplings are furnished with stainless steel disc packs unless otherwise specified.

Type SN

Full-Floating Shaft Coupling

Type SN couplings use a tubular center shaft, fabricated complete by Rexnord. Typical applications include cooling tower fan drives, paper machinery, printing presses, pumps and compressors.

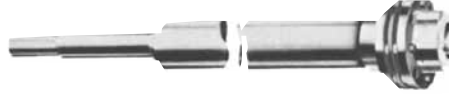
Connected shafts should be rigidly supported and long shaft overhang should be avoided. The tubular coupling shaft **MUST NOT** be supported with a bearing. They may be operated vertically if length does not exceed 36 in.



Type SF

Semi-Floating Shaft Coupling

Type SF couplings are a tubular shaft design with a stub shaft and bearing journal replacing the half-coupling on one end. They are typically used in tandem with the Type SN or Type SV where spans are too long for a single section of shafting.



Type SV

Vertical Floating Shaft Couplings

Type SV couplings are similar to the Type SN except that the lower half-coupling is modified to support the weight of the floating shaft. Typical applications include fresh-water pumps, sewage pumps, and marine cargo pumps. They may be used in tandem with the Type SF where spans are too long for a single shaft.



Corrosion Resistant Materials

Types SN, SV and SF couplings are particularly suited to applications involving wet or corrosive conditions, for this reason they are all furnished with 300 series stainless steel disc packs. For extremely corrosive environments, 316 stainless steel, Inconel 625 or Monel disc pack materials are available on request. As standard, these couplings are available in the following material classes.

NOTE: The stub shaft on the SF coupling is always furnished as unplated carbon steel in classes A, B, C and D. Couplings may be painted with acid and alkali resistant paints or coating besides the corrosion resistant classes listed.

CLASS

- A** – All steel
- B** – All steel – zinc plated
- C** – All steel – zinc plated w/stainless steel hardware
- D** – Stainless steel except for zinc plated hubs
- E** – All 300 series stainless steel

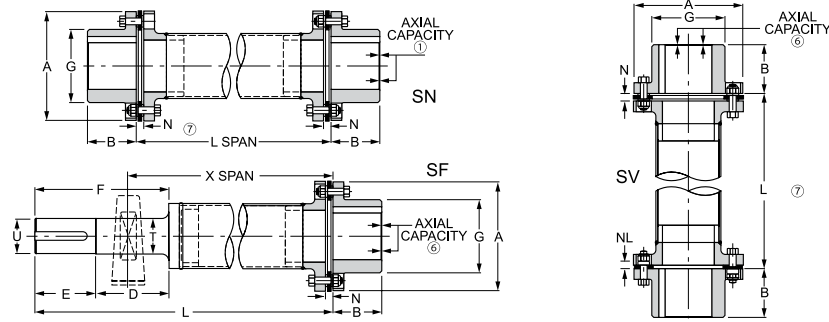
Floating Shaft Couplings

Types SN, SV and SF center members are of tubular construction, requiring special considerations for the operating speed and span length. The graph to the right may be used as a guide when determining whether it is desirable to balance the center member.

The standard procedure for balancing of SN, SV and SF couplings includes straightening of the tubular shaft prior to balancing. Many couplings of this type operate relatively near to the lateral resonant frequency of the coupling center member, and special balancing techniques are often required. For speeds 1800 RPM and under see page 4 for balancing recommendations. Consult Rexnord for any application with speed in excess of 1800 RPM.

Rexnord Thomas Floating Shaft Coupling

Types SN, SF, SV



General Dimensions

Coupling Size	Coupling Type			Max. Bore	A	B	D	E	T	U	F	G	N	NL	Min. L	
	SN	SV	SF												SN	SF
50	•			16	51	22	—	—	—	—	—	25	6.1	—	102	—
62	•			19	62	28	—	—	—	—	—	30	8.1	—	114	—
75	•			22	68	29	—	—	—	—	—	37	8.4	—	121	—
100	•	•	•	29	82	35	95	44	24	22	140	43	11.4	3.3	146	305
125	•	•	•	35	98	41	108	54	30	29	162	52	13.2	3.8	159	310
162	•	•	•	48	114	48	114	67	37	35	181	70	13.7	4.1	171	335
200	•	•	•	57	138	54	140	73	43	41	213	83	14.5	4.1	191	394
226*	•	•	•	67	148	67	143	86	49	48	229	96	14.7	4.6	210	419
262	•	•	•	80	170	76	156	95	56	54	251	114	11.9	5.6	210	457
312	•	•	•	92	198	86	162	102	62	60	264	133	12.7	6.4	248	495
350	•	•	•	102	222	95	191	114	75	73	305	149	13.7	7.4	292	521
375	•	•	•	114	246	102	203	121	87	86	324	165	15.0	8.4	324	589
425	•	•	•	121	267	108	229	127	94	92	356	178	15.7	9.4	337	640
450*	•	•		130	287	114	—	—	—	—	—	189	19.8	10.2	381	—
500T	•	•		137	327	127	—	—	—	—	—	213	19.8	11.9	394	—
550T	•	•		152	367	140	—	—	—	—	—	240	23.1	13.5	457	—
600T	•	•		165	406	152	—	—	—	—	—	260	24.9	15.2	470	—
700T	•	•		191	464	178	—	—	—	—	—	298	30.5	17.8	559	—
750T	•	•		203	503	191	—	—	—	—	—	321	32.3	19.6	597	—
800T	•	•		222	546	210	—	—	—	—	—	346	34.0	21.3	660	—
850T	•	•		235	584	222	—	—	—	—	—	368	35.6	22.9	914	—
925T	•	•		257	635	241	—	—	—	—	—	400	38.1	25.4	914	—

Coupling Size	Max. Continuous Torque (Nm)	Peak Overload Torque (Nm)	Weight (kg)		Weight Change Per mm of "L" (kg)	WR ² (kg-m ²)		WR ² Change Per mm of "L" (kg-m ² -m)	Type SN Axial Capacity (mm)
			SN, SV	SF		SN, SV	SF		
50	19	38	0.499	—	0.0100	0.147	—	0.0194	±0.58
62	33	66	0.726	—	0.0136	0.352	—	0.0470	±0.71
75	46	93	1.09	—	0.0236	0.557	—	0.134	±0.81
100	93	185	2.22	1.63	0.0345	1.55	0.908	0.246	±0.96
125	252	504	3.41	2.95	0.0431	3.57	2.08	0.505	±1.16
162	480	960	4.99	4.77	0.0590	7.91	4.4	1.64	±0.91
200	972	1943	9.53	4.99	0.132	9.38	4.98	4.17	±0.91
226*	1611	3222	12.08	11.35	0.150	30.8	17.9	6.10	±0.91
262	2486	4971	17.52	16.34	0.186	63.9	39	11.91	±1.09
312	3186	6372	28	25	0.213	133.6	85.3	16.38	±1.29
350	3966	7931	39	35	0.236	236	140	23.06	±1.42
375	8733	17467	58	50	0.440	416	247	54.36	±1.57
425	13315	26629	79	—	0.717	717	—	118	±1.70
450*	15365	30731	94	—	0.717	982	—	118	±1.82
500T	26257	52513	109	—	1.08	1452	—	305	±2.02
550T	30414	60828	153	—	1.08	2461	—	305	±2.33
600T	46435	92870	201	—	1.53	4251	—	678	±2.59
700T	62026	124052	326	—	2.07	8195	—	894	±2.92
750T	71290	142581	400	—	2.07	11799	—	894	±3.17
800T	102586	205172	518	—	2.47	18802	—	1527	±3.45
850T	125069	250138	645	—	2.72	26877	—	2040	±3.65
925T	165629	331257	826	—	3.13	42046	—	3081	±3.96

① All Thomas disc couplings meet NEMA frame sleeve bearing motor specifications without modification or the addition of end-float restricting devices.

② Shorter "L" requires special construction. Consult Rexnord.

③ Shaft tolerances: 5/16 to 1-1/2 + .000 - .0005. 1-5/8 to 3-11/16 .000 - .001. Key furnished with standard keyway in SF stub shaft.

④ Weight and WR² at max. bore and min. "L" dimension.

⑤ T suffix to coupling size indicates thin flange design. Consult Rexnord for larger sizes.

⑥ Types SF and SV end-float is one half ± value shown for type SN.

⑦ Maximum span (L) in inches for various speeds - For SN & SV

⑧ Consult Rexnord for larger sizes.

*Not available with Tpack.

NOTE: Dimensions subject to change. Certified dimensions of ordered material furnished on request.

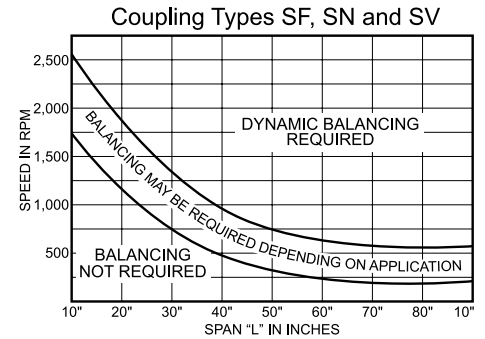
Rexnord Thomas Floating Shaft Coupling

Types SN, SF, SV

Maximum Span at Given RPM

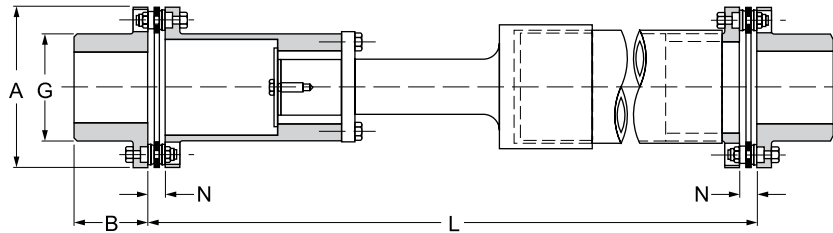
Coupling Size	3600 RPM	3000 RPM	1800 RPM	1500 RPM	1200 RPM	1000 RPM	900 RPM	750 RPM	720 RPM	600 RPM	500 RPM
50	Consult Rexnord		43	47	52	56	56	56	56	56	56
62	Consult Rexnord		50	54	61	67	70	75	75	75	75
75	Consult Rexnord		56	61	68	75	79	86	88	94	94
100	41	45	57	64	71	78	82	91	93	102	102
125	47	51	64	72	81	88	93	103	105	114	114
162	54	59	75	84	94	103	109	119	122	133	133
200	60	66	85	93	104	114	120	132	135	147	161
226	64	70	90	99	112	122	128	141	144	157	172
262	71	77	100	110	123	135	142	156	160	173	191
312	75	82	107	117	130	143	151	165	173	185	203
350	79	87	113	123	138	151	159	174	178	195	213
375	87	95	123	135	151	165	174	191	195	213	234
425	90	99	128	141	157	172	182	199	203	222	244
450*	90	99	128	141	157	172	182	199	203	222	244
500	104	113	147	161	180	197	207	227	232	254	279
550T	Consult Rexnord		147	161	180	197	207	227	232	254	279
600T	Consult Rexnord		165	180	202	221	233	255	260	285	312
700T	Consult Rexnord		164	179	200	219	231	253	258	283	310
750T	Consult Rexnord		164	179	200	219	231	253	258	283	310
800T	Consult Rexnord		179	196	219	240	252	276	282	309	Consult Rexnord
850T	Consult Rexnord		187	205	229	251	265	290	296	317	Consult Rexnord
925T	Consult Rexnord		200	220	245	269	284	311	317	317	Consult Rexnord

* Not available with Tpack



Type SN Adjustable

Type SN adjustable couplings were developed as emergency replacements for standard Type SN couplings and are available from stock in most sizes required for cooling tower applications. Each shaft may be adjusted through a four-inch length range, using a special compression bushing to lock the shaft in place once the length is set.



General Dimensions (mm)

Coupling Size	Max. Bore	A	B	G	H	Min. "L"	Adjustment Range	② Weight (kg)	Weight Change Per mm of "L"	② WR ² (kg-m ²)	WR ² Change per mm of "L" (kg-m ²)	① Axial Capacity (mm)
162	48	114	48	70	14	362	101.6	8.6	0.06	0.0108	0.0640	±0.91
200	57	138	54	83	14	384	101.6	13.6	0.13	0.0234	0.164	±0.91
226	67	148	67	96	15	439	101.6	19.5	0.15	0.0442	0.240	±0.91
262	79	170	76	114	12	480	101.6	27.7	0.19	0.0741	0.469	±1.09

① All Thomas disc couplings meet NEMA frame sleeve bearing motor specifications without modification or the addition of end-float restricting devices.

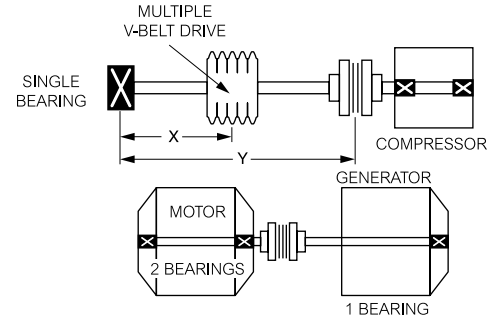
② Weight and WR² at maximum bore.

NOTE: Dimensions subject to change. Certified dimensions of ordered material furnished on request.

Rexnord Thomas Single-Flexing Disc Couplings

Type ST

ST couplings are designed for applications which require the coupling to support a substantial radial load while accommodating angular misalignment. Typical installations include units where one shaft is fully supported in its own bearings and the other shaft is single-bearing supported. The radial load is transmitted through the coupling to the inner bearing of the other shaft. Belt drives can be designed to utilize this type of coupling to eliminate a jack shaft bearing and transfer radial loading directly to a machine bearing. Such arrangements are economical and space saving. See the sketches to the right.



Construction

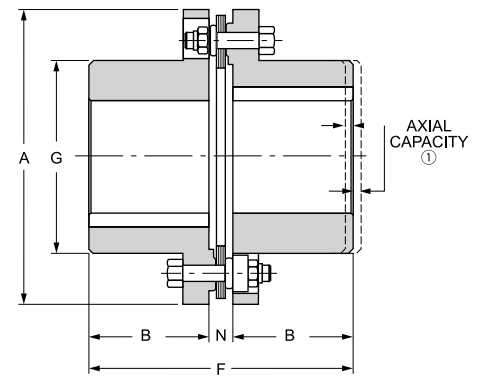
- Hubs: Carbon steel
- Bolts: Alloy steel
- Disc Packs: Tomaloy Tpack not available
- Coatings Available: Contact Rexnord.
- Other disc pack materials such as stainless steel, Monel and Inconel are available; please consult Rexnord.

NOTE:

Single-flexing couplings cannot accommodate parallel misalignment. They are not suitable for connecting equipment where both shafts are held rigidly in their own bearings.

General Dimensions (mm)

Coupling Size	⑦ Rough Bore	Max. Bore	A	B	C	F	G
162	—	41	116	44	67	155	70
200	—	51	146	54	76	184	92
225	—	57	152	64	76	203	99
262	—	67	175	73	89	235	114
312	—	79	206	86	105	276	138
350	—	89	232	95	116	306	152
375	—	95	256	102	132	333	165
425	—	108	279	108	141	357	178
450	—	114	302	114	151	379	189
500	68	127	341	127	173	427	213
550	68	140	381	140	196	475	240
600	94	152	425	152	215	519	262
700	108	178	481	178	245	600	298
750	125	191	524	184	268	635	321
800	132	203	568	197	289	683	349



Coupling Size	Max. Radial Load (kg)	Max. Kilowatt per 100 RPM						Max. RPM	⑥ Max. Continuous Torque (Nm)	⑥ Peak Overload Torque (Nm)	② Weight (kg)	② WR ² (kg-m ²)	① Axial Capacity (mm)
		Smooth			Pulsating								
		③ Col. 1	④ Col. 2	⑤ Col. 3	③ Col. 4	④ Col. 5	⑤ Col. 6						
162	68	0.6	0.8	1.0	0.3	0.4	0.5	2,500	99	149	3.2	0.00469	±0.45
200	102	1.1	1.6	2.0	0.5	0.7	1.0	2,500	192	288	6.4	0.0135	±0.45
225	154	1.6	2.2	2.8	0.7	1.1	1.4	2,500	271	407	6.8	0.0173	±0.45
262	236	2.8	4.0	5.1	1.4	1.9	2.5	2,500	484	725	10.4	0.0352	±0.55
312	318	4.5	6.3	8.0	2.2	3.1	4.0	2,500	761	1,141	18.6	0.0908	±0.66
350	409	6.4	8.9	11.5	3.1	4.5	5.7	2,300	1,089	1,638	25.4	0.152	±0.71
375	568	9.8	13.7	17.7	4.9	6.9	8.8	2,200	1,683	2,531	32.2	0.240	±0.78
425	681	12.7	17.8	23	6.4	8.9	12.2	1,900	2,181	3,276	42.2	0.381	±0.86
450	817	16.3	23	29	8.1	11.4	14.6	1,500	2,779	4,169	49.9	0.498	±0.91
500	1090	25	35	45	12.6	17.5	23	1,500	4,293	6,440	72.6	0.908	±1.04
550	1453	37	51	65	18.3	26	33	1,500	6,191	9,287	104.4	1.64	±1.16
600	1816	51	72	92	26	36	46	1,200	8,756	13,106	136.2	2.46	±1.29
700	2497	79	111	142	40	55	71	1,100	13,558	20,336	199.8	5.27	±1.47
750	2951	104	145	187	52	73	94	1,000	17,851	26,776	267.9	7.91	±1.58
800	3496	133	185	238	66	93	119	900	22,596	33,894	317.8	11.43	±1.72

- ① All Thomas disc couplings meet NEMA frame sleeve bearing motor specifications without modification or the addition of end-float restricting devices.
- ② Weight and WR² at maximum bore.
- ③ Col. 1 and 4 give maximum HP/100 RPM permitted when combined with maximum radial load.
- ④ Col. 2 and 5 give maximum HP/100 RPM permitted when combined with 2/3 maximum radial load.
- ⑤ Col. 3 and 6 give maximum HP/100 RPM permitted when combined with 1/3 maximum radial load.
- ⑥ Maximum torque and peak overload torque are based on 1/3 maximum radial load.
- ⑦ Consult Rexnord for minimum rough bore on sizes 162-450.

Rexnord Thomas Single-Flexing Disc Couplings

Type SN Single

Type SN single couplings are used for floating shaft applications where the user wishes to supply his own intermediate solid shaft, or for single-flexing applications where light-to-moderate radial loads occur. They are generally more economical than ST couplings.

Construction

- Hubs: Carbon steel
- Bolts: Alloy steel
- Disc Packs: Tomaloy Tpack (not available for size 450)
- Coatings Available: Consult Rexnord
- Other disc pack materials such as stainless steel, Monel and Inconel are available; please consult Rexnord.
- Misalignment: 1/3° per disc pack

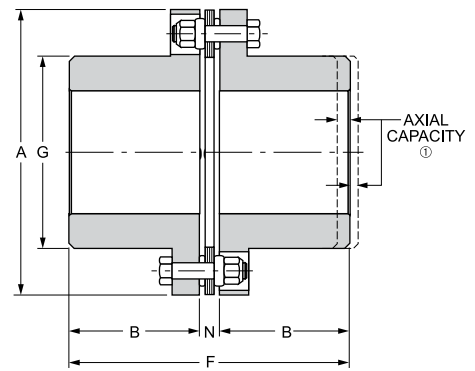
NOTE:

Single-flexing couplings cannot accommodate parallel misalignment. They are not suitable for connecting equipment where both shafts are held rigidly in their own bearings.



General Dimensions (mm)

Coupling Size	② Max. Bore	A	B	F	G	N
100	28	82	35	82	43	11.4
125	34	98	41	96	52	13.2
162	50	114	48	109	70	13.7
200	58	138	54	123	43	11.4
226	70	148	67	148	52	13.2
262	84	170	76	164	70	13.7
312	97	198	86	184	43	11.4
350	110	222	95	204	52	13.2
375	120	246	102	218	70	13.7
425	130	267	108	232	178	15.7
450	140	287	114	248	189	19.8
500T	146	327	127	274	213	19.8
550T	166	367	140	303	240	23.1
600T	176	406	152	330	260	24.9
700T	205	464	178	386	298	30.5
750T	224	503	191	413	321	32.3



Coupling Size	Max. Kilowatt Per 100 RPM	Max. RPM	Max. Continuous Torque (Nm)	Peak Overload Torque (Nm)	③ Weight (kg)	③ WR ² (kg-m ²)	① Axial Capacity (mm)
	Service Factor 1.0						
100	0.97	7,100	93	185	1.0	0.0008	±0.48
125	2.64	6,500	252	504	1.7	0.0019	±0.58
162	5.03	6,000	480	960	2.6	0.0050	±0.45
200	10.2	5,500	972	1943	5.0	0.0108	±0.45
226	16.9	5,200	1611	3222	6.4	0.0155	±0.45
262	61	4,800	5966	11931	10.4	0.0342	±0.55
312	61	4,500	5,803	11605	16.8	0.0772	±0.66
350	79	4,100	7,552	15105	23.6	0.134	±0.71
375	119	3,900	11,323	22646	32.2	0.225	±0.78
425	159	3,700	15,161	30323	40.4	0.339	±0.86
450	178	3,600	16,979	33958	54.9	0.462	±0.91
500T	292	2,800	27,817	55633	68.1	0.837	±1.04
550T	391	2,500	37,300	74599	95.3	1.50	±1.16
600T	513	2,300	48,973	97945	116.7	2.05	±1.29
700T	799	2,000	76,180	152359	177.1	3.54	±1.47
750T	992	1,800	94,694	189388	242.4	7.21	±1.58

- ① All Thomas disc couplings meet NEMA frame sleeve bearing motor specifications without modification or the addition of the end-float restricting devices.
- ② Consult Rexnord for minimum rough bore on sizes 162-450.
- ③ Weight and WR² shown at maximum bore.

Rexnord Thomas Flexible Disc Couplings

High Performance THP

THP couplings are designed for use on high-speed equipment where coupling size and weight must be kept to a minimum. Typically, these couplings connect prime movers such as motors, steam and gas turbines, rotary engines and gas expanders, to centrifugal and rotary compressors, generators, process and boiler feed pumps. Test stand and marine propulsion drives also benefit from this unique coupling design.

The flexing elements are precision-stamped from a high-strength 300 series stainless steel. This material has been used successfully for many years in Thomas couplings manufactured for helicopter drive shaft applications. Special materials for hubs, spacers and/or flexing elements are available to meet unique application requirements.

Construction

Hubs and Center Member: Heat treated 4140 and 4340 alloy steel

Bolts: Aircraft quality alloy steel with 12-point wrenching pattern

Disc Packs: High strength 300 series stainless steel

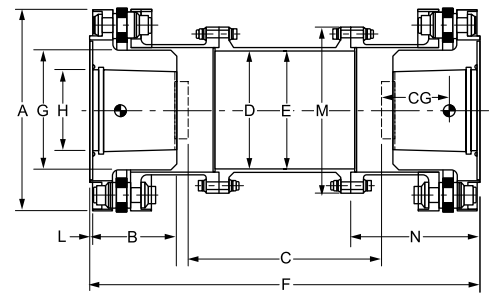
Coatings Available: Black oxide, zinc, cadmium and other coatings available per customer specification.

Other disc pack materials such as Monel and Inconel are available; please consult Rexnord.



General Dimensions (mm)

Coupling Size	A	B	C	D	E	F	② G	① Max. Bore Hydraulic H	L	M	N
442-6	137	52	457	79	73	587	76	51	3.2	114	96
519-6	162	66	457	98	92	618	95	64	3.2	135	114
519-8	164	66	457	98	92	618	95	64	3.2	135	114
638-6	195	79	457	117	111	646	114	76	3.2	162	127
638-8	195	79	457	117	111	646	114	76	3.2	162	128
744-6	225	94	457	138	130	676	133	89	3.2	189	133
744-8	225	94	457	138	130	676	133	89	3.2	189	133
850-6	257	106	457	159	149	705	152	102	3.2	211	159
850-8	257	106	457	159	149	705	152	102	3.2	211	161
948-6	291	119	457	178	167	733	171	114	3.2	237	181
948-8	291	119	457	178	167	733	171	114	3.2	237	182
1025-6	318	134	457	197	184	770	191	127	3.2	263	201
1025-8	318	134	457	197	184	770	191	127	3.2	263	203



Coupling Size	① Max. Standard Bore (mm)	③ ④ Max. Continuous Torque Rating (Nm)	Max. Speed RPM	⑤ Weight (kg)	⑤ WR ² (kg-m ²)	⑤ Half Coupling C.G. (mm)	⑤ Torsional Stiffness K _t x 10 ⁶ (Nm/Rad)	Spacer Tube Per Inch			⑥ Axial Capacity Continuous (mm)
								K _t x 10 ⁶ (Nm/Rad)	Weight (kg)	WR ² (kg-m ²)	
442-6	51	3050	28,500	9.7	0.02	41.7	0.0884	3.45	0.150	0.000217	±3.05
519-6	64	5760	24,000	16.0	0.05	51.1	0.181	6.73	0.187	0.000424	±3.68
519-8	64	8470	23,800	16.4	0.05	51.1	0.208	6.73	0.187	0.000424	±2.54
638-6	76	8810	19,900	24.7	0.11	61.7	0.322	11.6	0.224	0.000734	±4.44
638-8	76	8810	19,900	24.7	0.11	62.0	0.369	11.6	0.224	0.000734	±3.18
744-6	89	14100	17,200	37.3	0.214	72.9	0.566	23.5	0.224	0.00148	±5.21
744-8	89	19900	17,200	38.0	0.222	73.2	0.656	23.5	0.330	0.00148	±3.68
850-6	102	22000	15,100	56.7	0.430	80.8	0.917	42.7	0.454	0.00269	±5.97
850-8	102	33200	15,100	57.6	0.448	81.0	1.08	42.7	0.454	0.00269	±4.19
948-6	114	32200	13,400	78.9	0.761	90.7	1.45	69.7	0.594	0.00439	±6.73
948-8	114	48300	13,400	80.7	0.799	90.7	1.74	69.7	0.594	0.00439	±4.70
1025-6	127	42400	12,250	107	1.24	102	2.09	108	0.748	0.00679	±7.37
1025-8	127	65400	12,250	109	1.30	103	2.52	108	0.748	0.00679	±5.21

① For larger bores, consult Rexnord.

② May be reduced for smaller shaft sizes. Consult Rexnord.

③ Minimum service factor to be applied = 1.5

④ Max. peak overload torque = 1.33 x max. cont. torque

⑤ Information based on standard dimensional data shown.

⑥ Max. transient axial misalignment = 120% of values shown above.

Rexnord Thomas Flexible Disc Couplings

High Performance Series 63

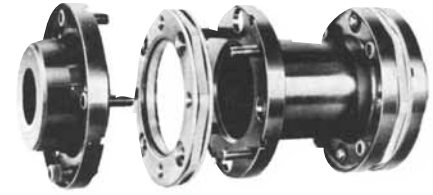
Series 63 couplings incorporate a patented* one-piece disc/diaphragm flexing element for positive torque transmission with low restoring forces. This unitized assembly accommodates misalignment and transmits torque through a multiple disc arrangement which provides redundancy in construction with a high degree of reliability. Pilot plates on the sides of each flexing element give accurate, repeatable registration of coupling components, and retain original dynamic balance repeatability while protecting the flexing members from damage.

Series 63 couplings are ideal for the most demanding drive requirements. Prime movers include motor, steam and gas turbines, rotary engines, and gas expanders. Driven equipment applications include centrifugal and rotary compressors, generators, test stands, boiler feed pumps and other multi-stage pumps, and marine propulsion drives. Custom designs available for torsional tuning and reduced moment.

*U.S. Patent 4055966

Construction

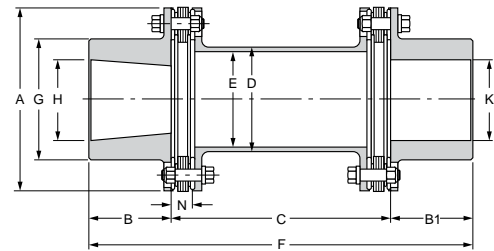
- Hubs and Center Member: Heat-treated alloy steel
- Bolts: Alloy steel
- Disc Packs: High strength 300 series stainless steel
- Coatings Available: Consult Rexnord
- Other disc pack materials such as stainless steel, Monel and Inconel are available; please consult Rexnord.
- When specified, Series 52 couplings meet all requirements of API 671.
- If application requires API specification, please consult Rexnord.



To determine Kt for a coupling with longer than standard "C" dimension, use the formula shown to the right:

$$K_t = \frac{1}{\frac{1}{K_t} + \frac{\Delta L}{\Delta K_t}}$$

Where ΔL = additional "C" dimension required ΔK_t = torsional stiffness change per inch of "C" dimension and $1/K_t$ - inverse of catalog value.



General Dimensions (mm)

Coupling Size	Max. Bore		A	B	B1	① Std. C	Min. C	D	E	F	② G Max.	N	Capacity
	Hydraulic H	Keyed K											
162	51	48	108	52	48	127	83	61	56	227	71	13.46	±1.27
200	67	62	139	70	62	127	105	86	81	259	93	17.27	±1.77
225	71	67	145	74	67	127	108	89	84	267	100	17.78	±1.39
262	82	76	171	86	76	152	121	100	94	314	114	19.81	±1.52
312	95	89	203	100	89	152	127	121	113	341	133	23.88	±1.90
350	106	99	226	111	99	178	164	127	119	388	148	28.70	±2.03
375	119	111	251	124	111	178	168	154	145	413	167	29.72	±2.28
425	126	117	272	134	117	203	187	165	154	455	176	33.27	±2.54
450	136	127	292	145	127	203	194	178	166	475	191	34.80	±2.79
500	152	142	333	164	142	229	216	197	183	535	213	37.59	±3.04
550	170	159	375	187	159	251	251	222	205	597	238	43.94	±3.55
600	186	173	416	205	173	286	286	238	218	664	260	51.56	±3.81
700	208	194	475	228	194	305	—	270	246	726	291	53.34	±4.44
750	224.5	209.6	515.9	246.1	209.6	355.6	—	300.0	274.3	811.3	314.5	58.42	±4.82

Coupling Size	Dynamic Data			④ Standard Mass-Elastic Data						
	③ Max. Speed RPM	Max. Continuous Torque (Nm)	Peak Overload Torque (Nm)	Weight (kg)	WR ² (kg-m ²)	K _t x 10 ⁶ (kg-mm/Rad)	C.G. (mm)	Change per mm of "C"		
								Weight (kg)	WR ² (kg-m ²)	K _t x 10 ⁶ (kg-mm/Rad)
162	36,000	665	1,661	3.5	0.00483	5.78	9.4	0.086	0.00008	121.0
200	28,600	1,537	3,841	7.4	0.01752	20.51	14.2	0.122	0.00022	344.5
225	26,700	2,384	5,954	8.7	0.02291	26.84	15.7	0.127	0.00024	387.1
262	22,500	4,271	10,677	13.9	0.04893	44.93	17.0	0.191	0.00045	722.4
312	19,100	7,242	18,078	23.1	0.116	65.21	18.8	0.286	0.00098	1578
350	17,200	9,253	23,162	31.4	0.195	109.9	20.1	0.304	0.00114	1843
375	15,600	14,236	35,590	42.2	0.322	141.7	25.1	0.404	0.00226	3652
425	14,300	19,094	47,793	53.5	0.478	218.9	24.6	0.549	0.00349	5657
450	13,300	24,066	60,221	66.7	0.683	241.9	27.7	0.612	0.00454	7328
500	11,600	35,703	89,258	97.1	1.275	400.9	30	0.839	0.00756	12213
550	10,300	51,295	128,238	139.7	2.306	574.9	34	1.15	0.0132	21314
600	9,300	71,180	177,951	188.7	3.809	706.3	35	1.43	0.0186	30070
700	8,200	102,025	255,120	274.4	7.21	1152	37	1.93	0.0322	51961
750	7,500	129,933	324,831	350.6	10.84	1509	39	2.28	0.0475	76040

- ① Standard dimension - may be modified as necessary.
- ② "G" dimension at listed maximum bore and will vary depending on bore size.
- ③ Consult Rexnord with higher speed requirements.
- ④ Weight and C.G. data based on standard "C" dimension, maximum hydraulic bores (H) and hydraulic hub lengths (B). Torsional stiffness (K_t) assumes a 1/3 shaft penetration factor.

NOTE: Dimensions subject to change. Certified dimensions of ordered material furnished on request.

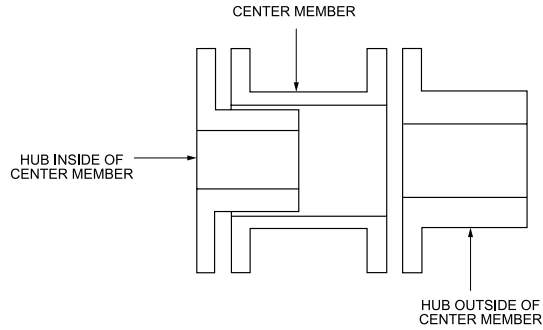
Rexnord Thomas Miniature Couplings

Thomas Miniature Flexible Disc Couplings

Construction

Hubs and Center Member: Aluminum alloy, anodized
 Rivets: Brass
 Washers: Brass
 Discs: Stainless steel
 Set screws: 18-8 Stainless steel, Passivated
 Max. Temperature: 250°F
 Available with electronically insulated phenolic material.

Guide to Proper Designation of Hubs



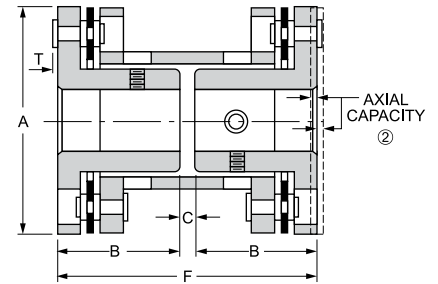
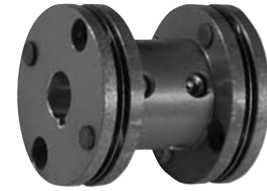
Style CC

This coupling has both hubs inverted and is designed to fit shafts normally encountered at a given torque range. Ideal for use where space limitations require close coupling of the shafts.

General Dimensions (mm)

Coupling Size	A	B	C	F	T	① Torque Capacity (Nm)
12	12.7	6.4	0.8	13.5	0.46	0.12
18	19.1	9.5	1.6	20.6	0.58	0.25
25	25.4	12.7	1.6	27.0	0.64	0.53
37	36.5	17.5	3.2	38.1	0.89	2.15
50	44.5	23.8	3.2	50.8	1.14	8.47
62	57.2	27.0	3.2	57.2	1.52	33.90
75	63.5	30.2	3.2	63.5	1.52	49.71
100	76.2	34.9	6.4	76.2	1.52	79.09

- ① Torque capacities are based on smooth drives with moderate torque fluctuations. Reduce ratings to 1/3 the value shown for severe applications such as indexing drives where torque reversals occur.
- ② All Thomas disc couplings meet NEMA frame sleeve bearing motor specifications without modification or the addition of end-float restricting devices.



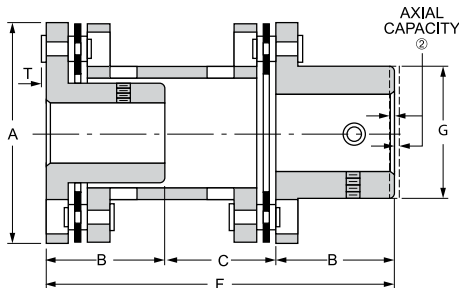
Style CA

This design of our miniature coupling has one inverted hub to accept a normal shaft and one extended hub to accommodate oversize shafts. It also accommodates a larger shaft gap than the Style CC.

General Dimensions (mm)

Coupling Size	A	B	C	F	G	T	① Torque Capacity (Nm)
12	12.7	6.4	6.0	18.7	7.9	0.46	0.12
18	19.1	9.5	9.5	28.6	11.9	0.58	0.25
25	25.4	12.7	11.9	37.3	15.9	0.64	0.53
37	36.5	17.5	17.5	52.4	22.2	0.89	2.15
50	44.5	23.8	23.0	70.6	27.0	1.14	8.47
62	57.2	27.0	25.4	79.4	34.9	1.52	33.90
75	63.5	30.2	28.6	88.9	41.3	1.52	49.71
100	76.2	34.9	34.9	104.8	47.6	1.52	79.09

- ① Torque capacities are based on smooth drives with moderate torque fluctuations. Reduce ratings to 1/3 the value shown for severe applications such as indexing drives where torque reversals occur.
- ② All Thomas disc couplings meet NEMA frame sleeve bearing motor specifications without modification or the addition of end-float restricting devices.

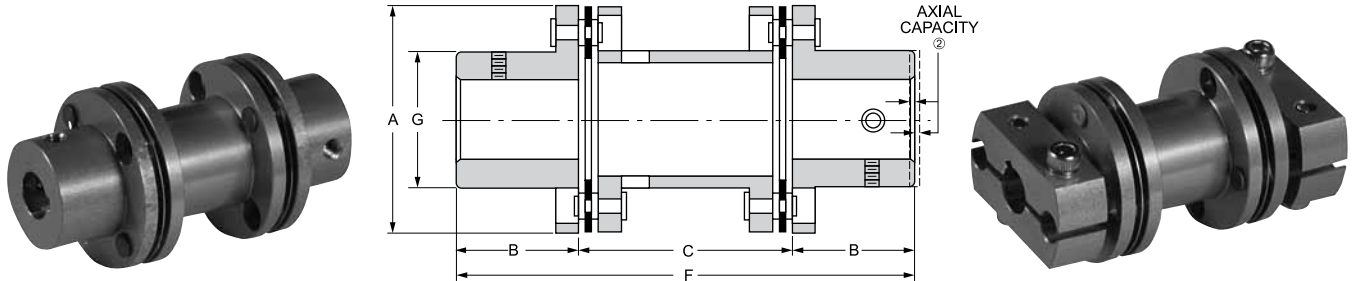


Rexnord Thomas Miniature Couplings

Style CB & CBC

This coupling design has both hubs extended to accept two oversized shafts. Shaft gap is larger than that of the Style CA or CC couplings.

Style CBC is the newest addition to our miniature coupling line. It offers clamping hubs that are an integral part of the coupling. The clamping hubs assure positive fit on the shafts. There are no loose parts to handle during installation. The Style CBC coupling has the same dimensions and torque capacities as the Style CB. Consult Rexnord for additional design and engineering data.



General Dimensions (mm)

Coupling Size	A	B	C	F	G	Torque Capacity (Nm)
12	12.7	6.4	11.1	23.8	7.9	0.12
18	19.1	9.5	17.5	36.5	11.9	0.25
25	25.4	12.7	22.2	47.6	15.9	0.53
37	36.5	17.5	31.8	66.7	22.2	2.15
50	44.5	23.8	42.9	90.5	27.0	8.47
62	57.2	27.0	47.6	101.6	34.9	33.90
75	63.5	30.2	54.0	127.0	41.3	49.71
100	76.2	34.9	63.5	127.0	47.6	79.09

Styles CC, CA, CB & CBC

Ratings and Mass Elastic Data

Coupling Size	Max. RPM	① Approx Weight (kg)	① Approx WR ² (kg-m ²)	Torsional Rigidity K _t x 10 ⁶ (kg-mm/Rad)	Max. Angular Misalignment Continuous Per Flexing Element	Max. Parallel Misalignment Continuous (mm)	Axial Capacity (Nm)
12	150,000	0.03	0.048	0.107	2°	0.381	±0.40
18	100,000	0.08	0.324	0.0654	2°	0.381	±0.40
25	80,000	0.21	1.46	0.0266	2°	0.711	±0.78
37	55,000	0.57	8.67	0.00399	1.5°	0.711	±0.78
50	45,000	1.14	25.94	0.00261	1°	0.711	±0.78
62	35,000	2.65	91.3	0.00100	0.67°	0.711	±0.78
75	30,000	3.28	157.5	0.000641	0.67°	0.711	±0.78
100	25,000	5.67	420.7	0.000475	0.50°	0.508	±0.78

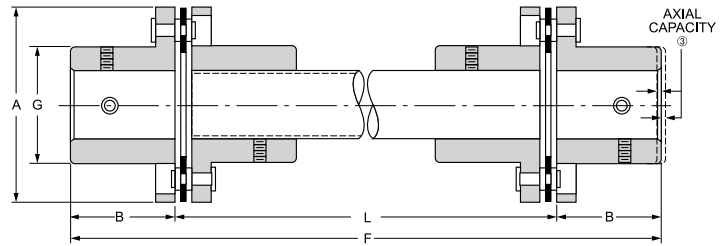
① Weight and WR² at maximum bore.

② All Thomas disc couplings meet NEMA frame sleeve bearing motor specifications without modification or the addition of end-float restricting devices.

Rexnord Thomas Miniature Couplings

Style CE

Two single-flexing units are connected by a tubular shaft in this type of miniature coupling. It is designed to span large distances between shafts and is ideal for those applications where a large amount of parallel misalignment is anticipated.



General Dimensions (mm)

Coupling Size	A	B	F	G	L	② Torque Capacity (Nm)	① Weight (kg)	Weight Change Per mm of "L" (kg)
12	12.7	6.4	Varies with "L" specified	7.9	Variable to suit requirements	0.12	0.013	0.0008
18	19.1	9.5		11.9		0.25	0.027	0.0014
25	25.4	12.7		15.9		0.53	0.048	0.0016
37	36.5	17.5		22.2		2.15	0.12	0.0031
50	44.5	23.8		27.0		8.47	0.22	0.0051
62	57.2	27.0		34.9		33.90	0.41	0.0062
75	63.5	30.2		41.3		49.71	0.51	0.0108
100	76.2	34.9		47.6		79.09	0.811	0.0119

- ① Weight calculated at maximum bore and "L" = 304.8 mm
- ② Torque capacities are based on smooth drives with moderate torque fluctuations. Reduce ratings to 1/3 the value shown for severe applications such as indexing drives where torque reversals occur.
- ③ All Thomas disc couplings meet NEMA frame sleeve bearing motor specifications without modification or the addition of end-float restricting devices.

Miniature Couplings Standard Bores- All standard bore are in inches

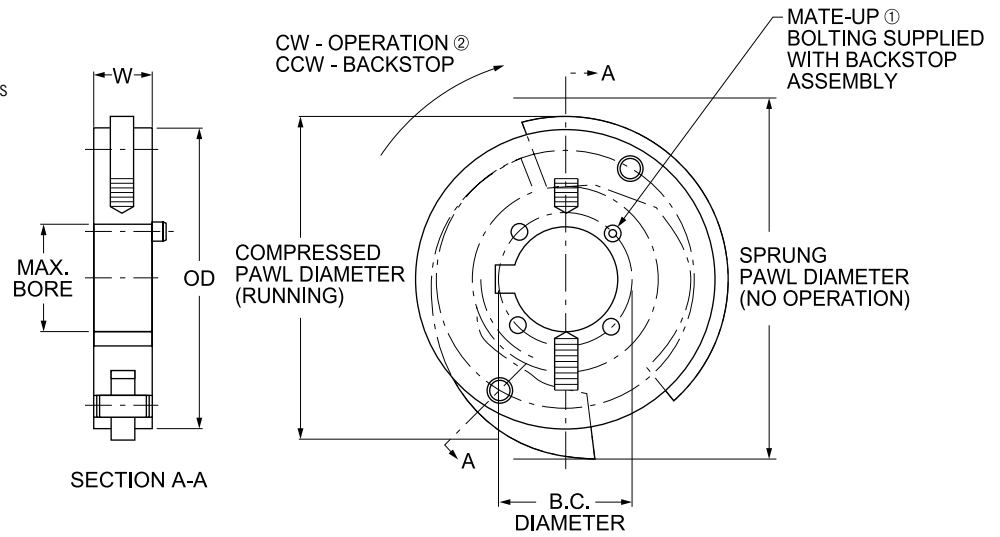
Coupling Size	CC		CA				CB		CE1		CS	
	Hub Inside of Center Member	Tolerance	Hub Inside of Center Member	Tolerance	Hub Outside of Center Member	Tolerance	Hub Outside of Center Member	Tolerance	Hub Outside of Center Member	Tolerance	Hub Outside of Center Member	Tolerance
12	3.05 3.18	±.00762	3.05 3.18	±.00762	④	—	④	—	④	—	④	—
18	④	—	④	—	④	—	④	—	④	—	④	—
25	6.36	±.0127	6.36	±.0127	6.36 7.95	±.0127	6.36 7.95	±.0127	6.36 7.95	±.0127	6.36 7.95	±.0127
37	6.36 7.95 9.54 — —	±.0127	6.36 7.95 9.54 — —	±.0127	4.78 6.36 7.95 9.54 12.71	±.0127	4.78 6.36 7.95 9.54 12.71	±.0127	4.78 6.36 7.95 9.54 12.71	±.0127	4.78 6.36 7.95 9.54 12.71	±.0127
50	6.36 7.95 9.54 12.71 — —	±.0127	6.36 7.95 9.54 12.71 — —	±.0127	6.36 7.95 9.54 11.13 12.71 15.89	±.0127	6.36 7.95 9.54 11.13 12.71 15.89	±.0127	6.36 7.95 9.54 11.13 12.71 15.89	±.0127	6.36 7.95 9.54 11.13 12.71 15.89	±.0127
62	9.54 12.71 15.89 —	±.0127	9.54 12.71 15.89 —	±.0127	9.54 12.71 15.89 19.06	±.0127	9.54 12.71 15.89 19.06	±.0127	9.54 12.71 15.89 19.06	±.0127	9.54 12.71 15.89 19.06	±.0127
75	12.71 15.89 19.06	±.0127	12.71 15.89 19.06	±.0127	25.41	±.0127	25.41	±.0127	25.41	±.0127	25.41	±.0127

④ Standard bores not available

Rexnord Thomas Couplings

Rexnord Thomas Backstop

- Bolts directly to Thomas SN & TSN-CT hubs
- Prevents reverse shaft rotation of cooling tower fans
- All stainless steel construction
- For non-corrosive environments this can be supplied in carbon steel



Bolt-On Backstop Tabulation

Coupling Size	Max. Bore	Mating Hub Backstop Bolting Info				OD	W (Ref)	Compressed	Sprung	Compressed Speed (RPM Ref)
		B.C. Dia	① Capscrew Size (Inch for capscrew dimensions)	Min Tap DP	Tight Torque (Nm)					
162	48	58.7	1/4 - 20 NC x 1.50	15.7	2.8	133.35	25.4	144.526	165.1	450 RPM Ref
200	54	68.3	1/4 - 20 NC x 1.50	15.7	2.8					
226	67	82.6	1/4 - 20 NC x 1.50	15.7	4.5					
262	79	98.4	3/8 - 16 NC x 1.75	22.4	16.0	231.648	28.448	233.426	268.224	400 RPM Ref
312	92	112.7	7/16 - 14 NX x 2.00	28.4	25.4					
350/375	102	123.8	1/2 - 13 NC x 2.00	28.4	39.5					

Special integral hub/backstop can be supplied.

① 162 & 200 size supplied with (4) socket head capscrews. All other sizes supplied with four hex head capscrews.

② Backstop may be inversely mounted for opposite rotation.

Rexnord Thomas Flexible Disc Couplings

Spacer Type Series 52 - SEE PAGES 10-11 FOR UPDATED VERSION WITH ENHANCED FEATURES

Series 52 couplings are all-purpose high-speed, high-torque couplings used where minimum coupling weight is desirable. They are commonly used on motor and turbine driven pumps, compressors and fans. Design modifications may be made to further reduce the coupling weight, making it an economic alternative to high performance disc and diaphragm couplings.

Construction

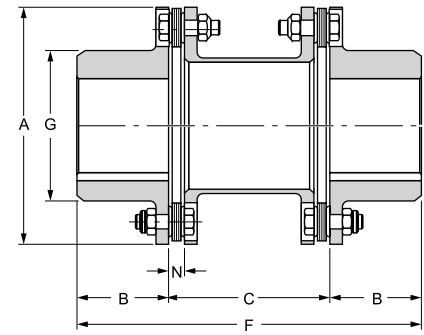
Hubs and Center Assembly: Carbon Steel
 Bolts: Alloy Steel
 Disc Packs: Tomaloy Tpack (225-750 Size)
 Coatings Available: Black Oxide, Zinc, Cadmium
 Other materials such as stainless steel, Monel and Inconel are available; please consult Rexnord.
 Misalignment: 1/3° per disc pack

When specified, Series 52 couplings meet all requirements of API 610 or API 671.
 If application requires API specification, please consult Rexnord.



General Dimensions (mm)

Coupling Size	⑥ Max. Bore	A	B	② Std. C	② Stocked C	Min. C	F	G	N
125	34	94	33	102	100	Consult	168	52	7
162	50	110	44	127	100, 140	52	216	70	7
200	58	138	52	127	100, 140	67	232	83	9
225	70	145	67	127	100, 140, 180	70	260	96	9
262	84	168	73	127	140, 180	82	273	114	12
312	97	198	86	140	140, 180	95	311	133	13
350	110	221	95	152	180, 250	106	343	149	14
375	120	246	102	178	180, 250	117	381	165	15
425	130	267	108	178	180, 250	125	394	178	16
450	140	287	114	203	180, 250	136	432	189	18
500	146	327	127	229	250	153	483	213	20
550	166	367	140	254	250	175	533	240	23
600	176	406	152	254	250	191	559	260	25
700	205	464	178	279	—	217	635	298	30
750	224	503	191	279	—	235	660	321	32
800	241	546	210	305	—	255	724	346	34
850	250	584	222	330	—	273	775	368	36
925	267	635	241	356	—	292	838	400	38
1000	290	699	267	368	—	—	902	438	43
1100	314	741	286	406	—	—	978	470	44
1200	339	816	311	432	—	—	1054	514	50
1300	376	876	337	457	—	—	1130	556	52



Taper Bores Also Available

Coupling Size	Max. Kilowatt Per 100 RPM	⑤ Max. RPM		Max. Continuous Torque (Nm)	Peak Overload Torque (Nm)	④ Weight (kg)	Weight Change Per mm of "C" (kg)	④ WR ² (kg-m ²)	WR ² Change Per mm of "C" (kg-m ²)	① Axial Capacity (mm)
	Service Factor 1.0	③ Not Balanced	⑤ Balanced							
125	3.2	5,000	15,000	305	610	2.1	0.003	0.0022	0.00170	±0.91
162	6.3	4,600	15,000	604	1,208	3.3	0.004	0.0046	0.00310	±0.91
200	12.5	4,250	15,000	1,185	2,371	5.6	0.004	0.0128	0.00670	±0.91
225	20.7	4,100	14,000	1,976	3,951	7.3	0.006	0.0178	0.00980	±0.91
262	38.9	3,900	13,000	3,706	7,413	11.8	0.009	0.0401	0.0180	±1.09
312	60.8	3,450	11,700	5,803	11,605	18.8	0.012	0.0878	0.0360	±1.29
350	79.0	3,200	10,500	7,552	15,105	26.6	0.015	0.154	0.0550	±1.42
375	118.6	3,000	9,400	11,323	22,646	36.3	0.018	0.266	0.0830	±1.57
425	158.8	2,800	8,700	15,161	30,323	47.2	0.026	0.404	0.135	±1.70
450	178.2	2,700	8,100	16,979	33,958	57.7	0.026	0.576	0.156	±1.82
500	291.5	2,500	7,100	27,817	55,633	89.0	0.041	1.112	0.313	±2.02
550	390.7	2,300	6,300	37,300	74,599	127.6	0.052	2.019	0.495	±2.33
600	512.9	2,150	5,700	48,973	97,945	168.0	0.059	3.277	0.705	±2.59
700	798.5	1,950	5,000	76,180	152,359	257.4	0.082	6.525	1.19	±2.92
750	992.4	1,850	4,600	94,694	189,388	323.2	0.093	9.685	1.65	±3.17
800	1276.5	1,750	4,300	121,777	243,554	413.6	0.107	15.05	2.30	±3.45
850	1506.1	1,600	3,900	143,712	287,424	503.5	0.107	20.98	2.30	±3.65
925	2039.2	1,500	3,600	194,626	389,253	662.4	0.143	32.60	4.61	±3.96
1000	2306.9	—	3,250	220,140	440,280	853.5	0.161	50.30	5.83	±4.36
1100	2750.5	—	3,100	262,475	524,949	1021.5	0.197	68.91	9.15	±4.64
1200	3353.7	—	2,800	320,050	640,099	1366.5	0.268	110.16	13.78	±5.15
1300	4010.6	—	2,600	382,705	765,410	1661.6	0.268	153.23	15.55	±5.53

- ① All Thomas disc couplings meet NEMA frame sleeve bearing motor specifications without modification or the addition of end-float restricting devices.
- ② Additional "C" dimensions available. Consult Rexnord.
- ③ Series 52 couplings meet AGMA Class 9 balance requirements as manufactured with interference fit bore and close fit keyway. If clearance fit and/or setscrews are required, please consult Rexnord. See page 4 for explanation of RPM limits and balancing recommendations.
- ④ Weight and WR² at maximum bore and standard "C" dimension listed.
- ⑤ Balance recommendations based on AGMA Specification 9000-C90 Average Sensitivity.
- ⑥ Consult Rexnord for minimum rough bore sizes.

NOTE: Dimensions subject to change. Certified dimensions of ordered material furnished on request.

Rexnord Thomas Flexible Disc Couplings

Spacer Type Series 71 - SEE PAGES 12-13 FOR UPDATED VERSION WITH ENHANCED FEATURES

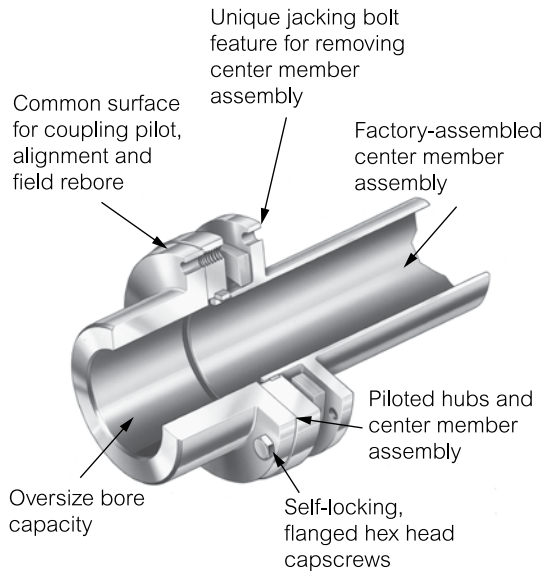
Series 71 couplings are designed for applications requiring a spacer-type coupling such as ANSI, API and other process pumps. Series 71 couplings are most commonly applied on motor, turbine, and gear driven pumps, compressors and blowers.

Series 71 is a simple three-piece design. Three piece design features unitized center member assembly and two piloted hubs. Hubs are piloted fit to the factory assembled center member. The piloting provides repeatable assembly of components for better dynamic balance characteristics. The center assembly simply “drops out” for fast installation or removal without special tools. The disc design allows for low flexing forces and high overload capacity.

Construction

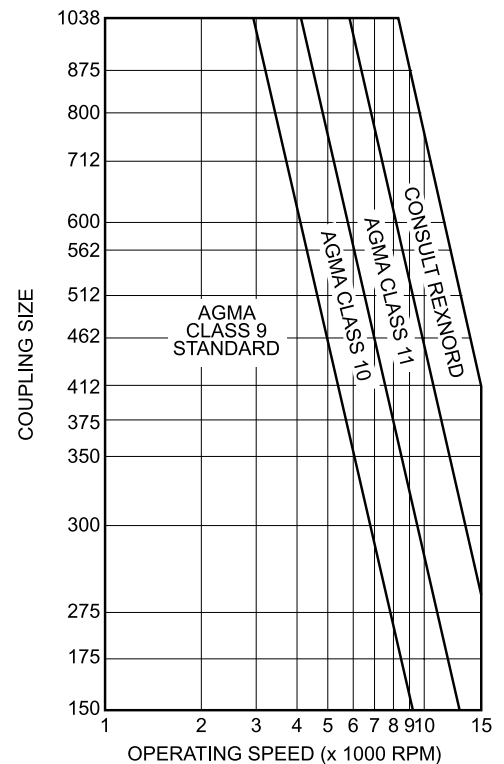
- Hubs and Center Assembly: Carbon steel
- Bolts: Alloy steel
- Disc Packs: Stainless steel for 4- & 6-bolt designs
- Stainless steel Tpack for 8-bolt design
- Coatings Available: Black oxide, zinc, cadmium
- Other disc pack materials such as Monel and Inconel are available; please consult Rexnord.
- Misalignment: 1/2° per disc pack for 4- and 6-bolt designs, 1/3° per disc pack for 8-bolt design

When specified, Series 71 couplings meet all requirements of API 610 or API 671.
If application requires API specification, please consult Rexnord.



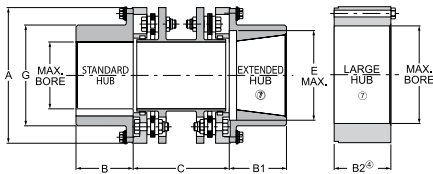
NOTE: These recommendations and balance classes are based on AGMA Specifications 9000-C90, high sensitivity. If conditions exist other than as defined in 9000-C90, for sensitivity, consult Rexnord. The above information should be used as a guide only. AGMA Class 9 balance is furnished as standard when Series 71 couplings are finished bored with interference fits.

Series 71 Balance Recommendations

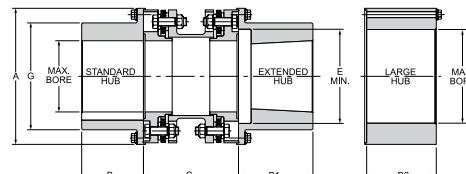


Rexnord Thomas Flexible Disc Couplings

Spacer Type Series 71 4-, 6- & 8-Bolt



4- & 6-Bolt Design



8-Bolt Design

General Dimensions (mm)

Coupling Size	⑥ B&B ¹ Hub Max. Bore	⑥ B&B ² Hub Max. Bore	A	B	B1	Std. B2	Std. C	Min. C	E	G
4-Bolt Design										
150	39	64	91	33	43	41	89	87	52	59
175	50	73	106	40	52	46	89	87	65	71
6-Bolt Design										
225	58	87	125	51	64	52	127	87	78	85
300	81	110	152	67	83	70	127	102	105	113
350	95	120	171	79	95	76	127	124	127	133
375	100	137	194	83	102	83	140	127	135	144
412	110	145	203	92	111	92	178	155	146	155
462	130	166	229	105	127	105	178	178	160	174
512	140	187	255	114	137	114	178	191	179	194
562	156	200	279	127	152	127	203	203	195	213
600	166	220	298	133	162	133	229	229	211	227
8-Bolt Design										
225-8	80	106	152	64	79	78	127	121	106	116
262-8	95	128	175	78	94	90	178	140	119	132
312-8	112	145	203	90	109	105	191	152	146	160
350-8	130	166	227	99	121	114	191	171	165	179
375-8	144	185	252	113	135	131	191	184	181	202
425-8	158	203	273	124	149	140	203	191	189	214
450-8	170	214	294	129	157	152	229	222	213	236
500-8	196	248	333	151	179	171	279	260	232	267
550-8	215	—	373	167	198	—	292	292	254	292
600-8	242	—	416	183	214	—	318	318	298	336
700-8	258	—	471	211	246	—	368	368	325	373
750-8	286	—	511	227	262	—	400	400	363	413

Coupling Size	Max. Kilowatt Per 100 RPM	Max. RPM		Max. Continuous Torque (Nm)	Peak Overload Torque (Nm)	② Weight (kg)	Weight Change Per mm of "C" (kg)	② WR ² (kg-m ²)	WR ² Change Per mm of "C" (kg-m ² -m)	① Axial Capacity (mm)
	Service Factor 1.0	⑤ Not Balanced	④ Balanced							
4-Bolt Design										
150	1.1	9,000	20,800	105	210	3.0	0.0018	0.0031	0.00035	±0.127
175	1.9	8,300	17,000	184	368	4.3	0.0025	0.0060	0.00104	±0.1778
6-Bolt Design										
225	3.6	7,700	16,000	345	691	6.4	0.0034	0.0123	0.00288	±0.1905
300	8.6	6,800	14,000	820	1,639	11.8	0.0046	0.0354	0.00760	±2.159
350	15.8	6,200	13,500	1,513	3,026	19.5	0.0075	0.0758	0.0136	±2.296
375	22.8	5,650	12,000	2,179	4,358	25.0	0.0077	0.1238	0.0187	±2.413
412	26.6	5,350	11,000	2,540	5,080	32.2	0.0107	0.1799	0.0334	±2.794
462	47.8	5,000	10,000	4,561	9,122	45.9	0.0143	0.3248	0.0536	±3.048
512	65.0	4,700	9,200	6,209	12,418	61.3	0.0186	0.5355	0.0856	±3.302
562	99.4	4,350	8,300	9,494	18,988	84.4	0.0229	0.8837	0.120	±3.683
600	108.4	4,150	7,800	10,352	20,704	103.5	0.0313	1.2436	0.202	±4.064
8-Bolt Design										
225-8	20.7	7,500	14,000	1,976	3,952	12.6	0.0068	0.0375	0.0123	±0.91
262-8	38.8	6,800	12,500	3,706	7,412	19.5	0.0082	0.0775	0.0225	±1.09
312-8	60.8	6,200	11,500	5,803	11,606	30.0	0.0098	0.1697	0.0385	±1.29
350-8	79.1	5,700	10,500	7,552	15,104	43.0	0.0134	0.3017	0.0649	±1.42
375-8	118.6	5,200	9,800	11,323	22,646	61.0	0.0188	0.5220	0.106	±1.57
425-8	158.8	5,000	9,300	15,161	30,322	77.0	0.0218	0.7654	0.145	±1.70
450-8	177.8	4,700	8,700	16,979	33,958	100.0	0.0284	1.1763	0.207	±1.82
500-8	291.3	4,200	7,900	27,817	55,634	155.0	0.0379	2.3525	0.362	±2.02
550-8	390.6	3,900	7,300	37,300	74,600	216.0	0.0474	4.0759	0.574	±2.34
600-8	512.9	3,600	6,800	48,973	97,946	296.0	0.0545	7.0604	0.796	±2.59
700-8	797.8	3,300	6,200	76,180	152,360	436.0	0.0738	13.1377	1.36	±2.92
750-8	991.7	3,100	5,800	94,694	189,388	564.0	0.0924	20.2538	2.02	±3.18

① All Thomas disc couplings meet NEMA frame sleeve bearing motor specifications without modifications or the addition of end-float restricting devices.

② Weight and WR² with standard length hubs, maximum bore and standard "C".

③ Extended hub length is designed longer in order to include a counter-bore for the threaded extension on a tapered shaft.

④ See page 4 for explanation of RPM limits and balancing recommendations.

⑤ Series 71 Coupling assembly meets AGMA Class 9 Balance when finish bored with interference fits.

⑥ Consult Rexnord for minimum rough bore sizes.

⑦ If a block hub is supplied, extra capscrews will be provided for center member jacking feature.

NOTE: Dimensions subject to change. Certified dimensions of ordered material furnished on request.

Thomas Flexible Disc Couplings

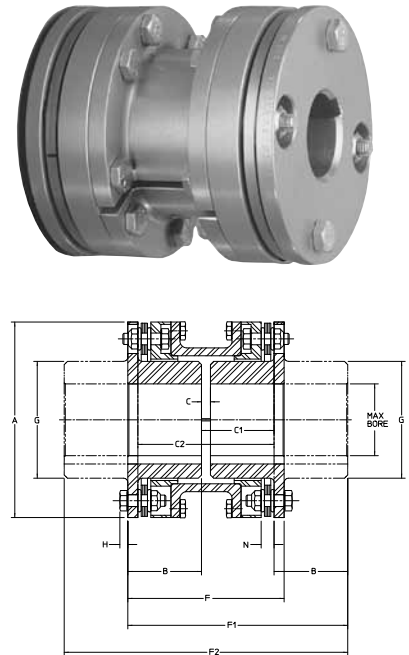
Close-Coupled Series 54RD

Series 54RD couplings are specifically designed as replacements for close-coupled gear and grid couplings, and where overall shaft-to-shaft spacing is minimal. Materials of construction are identical to the Series 52. Stainless steel disc packs are supplied as standard.

To reduce maintenance costs, the Series 54RD is furnished with an axially split center member. This design permits the removal of the disc packs without moving the connected equipment. When specified, and based on speed requirements, the Series 54RD can be manufactured to meet API 610. If application requires API specification, please consult Rexnord.

General Dimensions (mm)

Coupling Size	Max Bore* Internal (mm)	Max Bore* External (mm)	A	B	C	C1**	F	F1**	H	N	G	C2***	F2***
125	20	34	94	47	3.1	43.4	97	137	4.3	6.9	44	83.8	177
162	42	50	110	48	3.1	45.0	99	140	4.3	7.4	59	86.9	182
200	58	58	138	54	3.1	50.0	111	158	5.6	9.1	83	96.5	190
225	65	70	145	56	3.1	51.6	114	163	5.6	9.1	89	100.1	211
262	74	84	168	66	4.8	61.5	136	193	6.4	11.9	105	118.1	250
312	95	97	198	72	4.8	66.6	149	211	7.6	12.7	127	128.3	273
350	100	110	221	83	6.4	77.7	173	244	8.6	13.7	140	149.1	316
375	114	120	246	90	6.4	83.1	187	264	9.9	15.0	154	159.3	340
425	120	130	267	101	6.4	91.7	208	293	10.7	15.8	167	177.0	379
450	130	140	287	114	7.9	105.7	236	334	11.9	18.0	178	203.0	432
500	137	146	327	120	7.9	108.5	248	348	12.7	19.8	200	208.5	448
550	150	166	367	135	9.7	122.2	279	392	14.7	23.1	222	234.7	504
600	166	176	406	152	9.7	136.9	314	442	17.0	24.9	236	264.7	569
700	195	205	464	178	9.7	158.0	365	514	19.1	30.2	276	306.3	662
750	206	224	503	197	12.7	177.8	406	572	21	32.3	298	342.9	737
800	223	241	546	210	12.7	187.2	432	606	23	34.0	318	361.7	781
850	235	250	584	226	14.2	202.4	465	654	25	35.6	335	390.7	842
925	248	267	635	252	15.8	226.3	519	730	28	38.1	359	436.9	940
1000	264	290	699	273	15.8	244.4	562	790	29	42.9	413	465.3	1019



* Non-bored hubs available upon request.

** Hubs may be reversed for alternate shaft spacing.

*** Both hubs reversed.

NOTE: When hub is used with barrel positioned outside of spacer, a Series 52 hub is used.

Coupling Size	Max. Kilowatt Per 100 RPM	Max. RPM		Maximum Continuous Torque (Nm)	Peak Overload Torque (Nm)	② Weight (kg)	② WR ² (kgm ²)	① Axial Capacity (mm)
	Service Factor 1.0	Not Balanced	③ Balanced					
125	2.8	4,600	7,200	263	526	3.0	0.0035	±0.91
162	5.2	4,200	7,000	492	984	4.4	0.0070	±0.91
200	10.0	3,800	6,300	958	1,917	7.3	0.0190	±0.91
225	12.7	3,700	6,000	1,208	2,416	8.2	0.0234	±0.91
262	20.7	3,600	5,500	1,976	3,951	14.1	0.0524	±1.09
312	28.7	3,000	5,000	2,743	5,487	21.5	0.117	±1.29
350	40.3	2,800	4,500	3,850	7,699	31.0	0.207	±1.42
375	60.4	2,500	4,000	5,769	11,538	42.9	0.363	±1.57
425	85.5	2,300	3,700	8,162	16,324	56.8	0.562	±1.70
450	97.2	2,200	3,400	9,280	18,559	74.9	0.849	±1.82
500	147	2,000	3,300	13,999	27,997	109	1.586	±2.02
550	254	1,900	2,800	24,272	48,544	158	2.870	±2.33
600	318	1,800	2,500	30,368	60,736	217	4.828	±2.59
700	409	1,700	2,500	39,061	78,121	324	9.334	±2.92
750	552	1,550	2,200	52,721	105,441	402	13.489	±3.17
800	686	1,450	2,100	65,478	130,955	499	19.751	±3.45
850	838	1,350	1,950	80,041	160,081	663	30.138	±3.65
925	1120	1,300	1,850	106,909	213,818	890	47.401	±3.96
1000	1537	1,200	1,750	146,760	293,520	1,108	72.272	±4.36

For larger sizes, consult Rexnord.

① All Thomas disc couplings meet NEMA frame sleeve bearing motor specifications without modifications or the addition of end-float restricting devices.

② Weight and WR² at maximum bore.

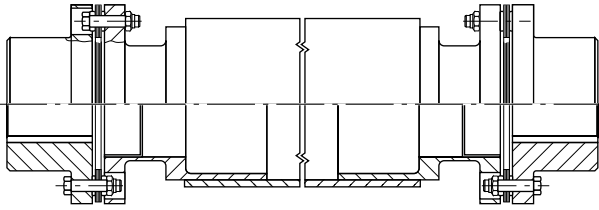
③ For higher speeds, consult Rexnord.

NOTE: Dimensions subject to change. Certified dimensions of ordered material furnished on request.

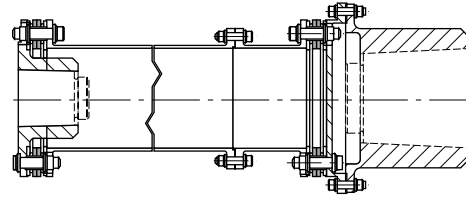
Rexnord Thomas Couplings

Customized Flexible Disc Couplings Designs

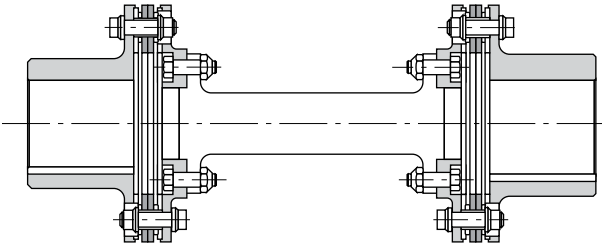
The following pages illustrate a sampling of the special disc coupling products designed and manufactured by Rexnord for applications requiring special coupling designs; please contact your Rexnord representative.



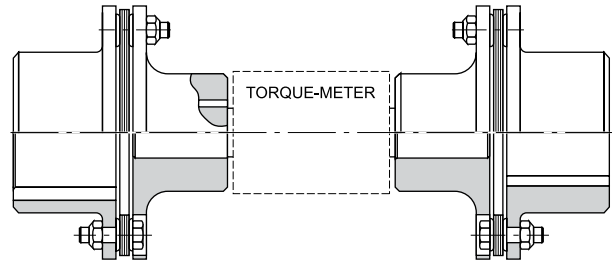
SN-EL – Extra Long Span



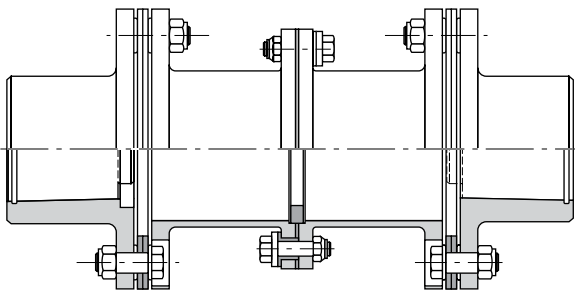
Semi-Reduced Movement – Bolt On Hub



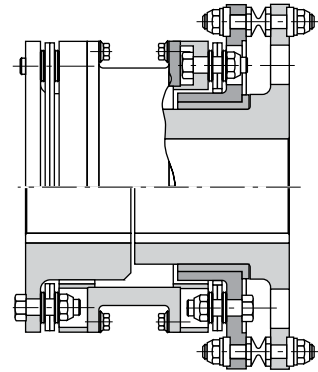
Torsionally Tuned Center Members



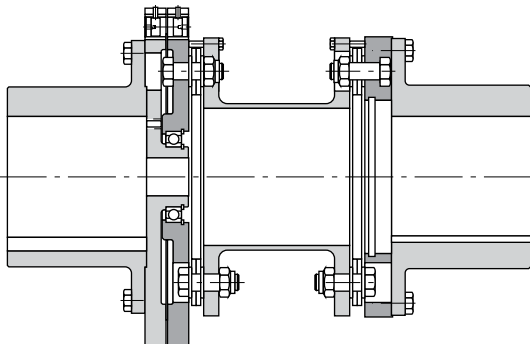
Torque Meter Coupling



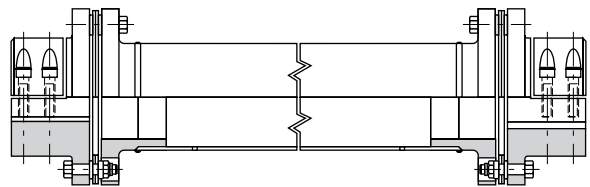
Electrically Insulated Couplings



Breaker Pin Coupling – Bushing Style



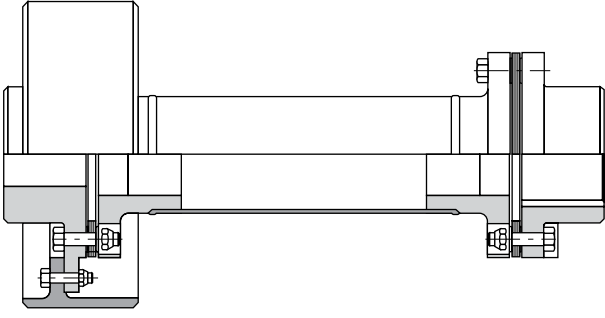
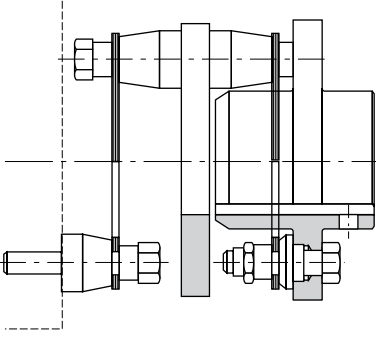
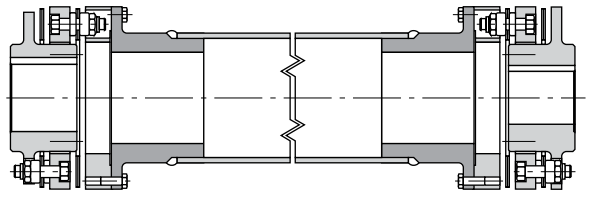
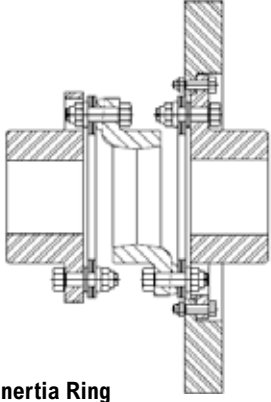
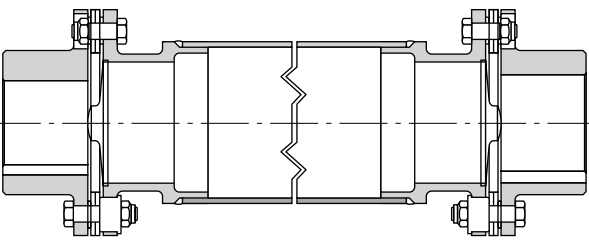
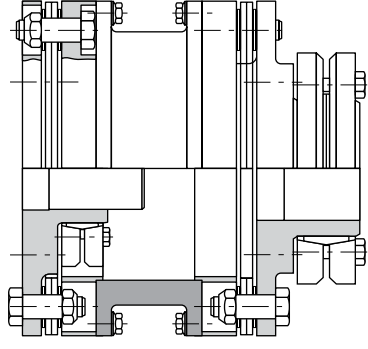
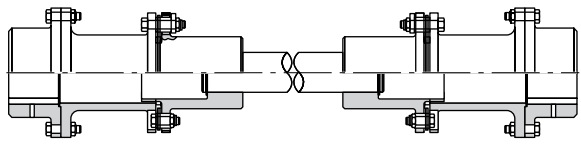
Breaker Pin Coupling – Bearing Style



Clamp Hub Mounting

Rexnord Thomas Couplings

Customized Flexible Disc Couplings Designs

 <p>Brake Drum Hub</p>	 <p>Motor-Tachometer Coupling</p>
 <p>Double Disc Packs</p>	 <p>AMR Bolt-On Inertia Ring</p>
 <p>Axial Limiting Stops</p>	 <p>Shrink Disc Hub Mounting</p>
 <p>Slide Coupling</p>	