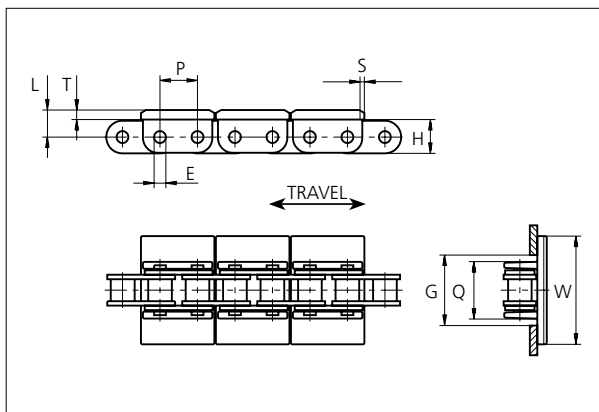


Snap-On Plastic Chain

Series **uni 843** Type **SK**



Snap-On Plastic Chain

Straight running chain
 Pitch: 12.7 mm (0.50 in)
 Backflex radius:
 K138: 250.0 mm (9.80 in)
 K200: 150.0 mm (5.90 in)
 Permissible tensile strength:
 uni 843 SK with (SS304) stainless steel chain: 1500 N (340 lbf)
 uni 843 SK with carbon steel chain: 2000 N (450 lbf)

Delivery:
 6.096 m (20 ft)
 No. of links/box: 240
 No. of flights/box: 120

	E		G		H		L		P		Q		S		T	
	mm	in	mm	in	mm	in	mm	in	mm	in	mm	in	mm	in	mm	in
K138	4.0	0.16	20.5	0.81	11.5	0.45	9.1	0.36	12.7	0.50	19.1	0.75	2.0	0.08	3.2	0.13
K200	4.0	0.16	20.5	0.81	11.5	0.45	9.1	0.36	12.7	0.50	19.1	0.75	4.0	0.16	3.2	0.13

All dimensions are for chains in POM material.

All Snap-On versions can be delivered either with a stainless steel chain (SS304) or a carbon steel chain.

	Width (W)		Flight material & color	Chain material	Weight	
	mm	in			kg/m	lb/ft
K138	34.9	1.37	POM-DI G	SS304 or Carbon steel	0.9	0.60
K200	50.8	2.00	POM-LFI BR	SS304 or Carbon steel	0.9	0.60

Non standard material and color: See uni Material and Color Overview.

STANDARD

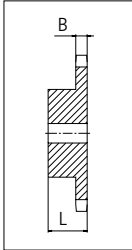
STRAIGHT RUNNING

PITCH 12.7 MM/0.50 IN

Any questions? Please contact us.

Sprocket

No of teeth	Pitch diameter		Hub diameter		Overall width L		Tooth width B		tBore		Machined S1045
	mm	in	mm	in	mm	in	mm	in	mm	in	
Z18	73.1	2.88	56.0	2.20	28.0	1.10	7.2	0.28	12.0	0.47	
Z25	101.3	3.99	70.0	2.76	28.0	1.10	7.2	0.28	14.0	0.55	



Please ensure that sufficient size shaft and keyway are chosen for corresponding load.

Non standard material and color:
See uni Material and Color Overview.

Other sprocket sizes are available upon request
uni Retainer Rings: See uni Retainer Ring data sheet

Any questions? Please contact us.